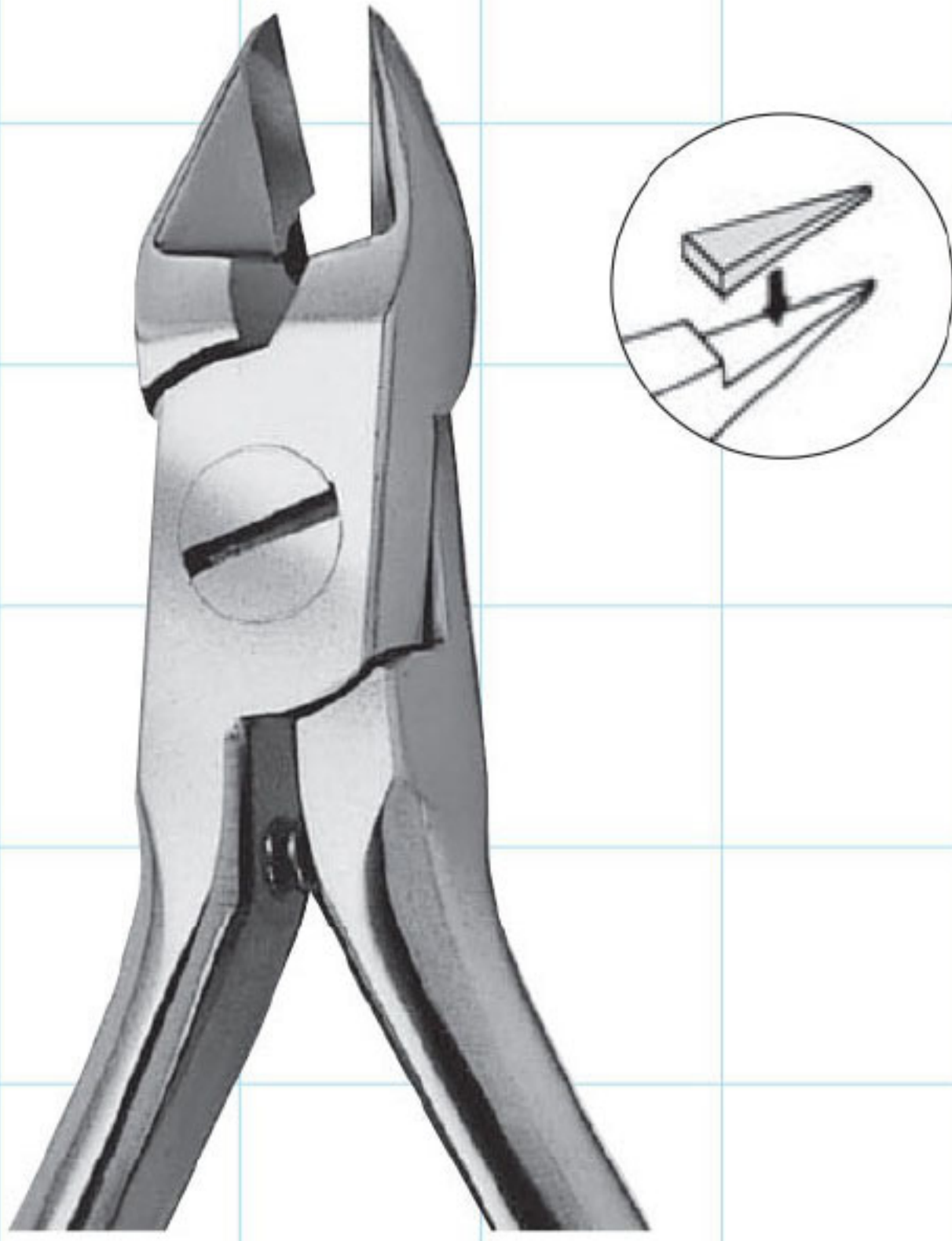


orthodontic instruments

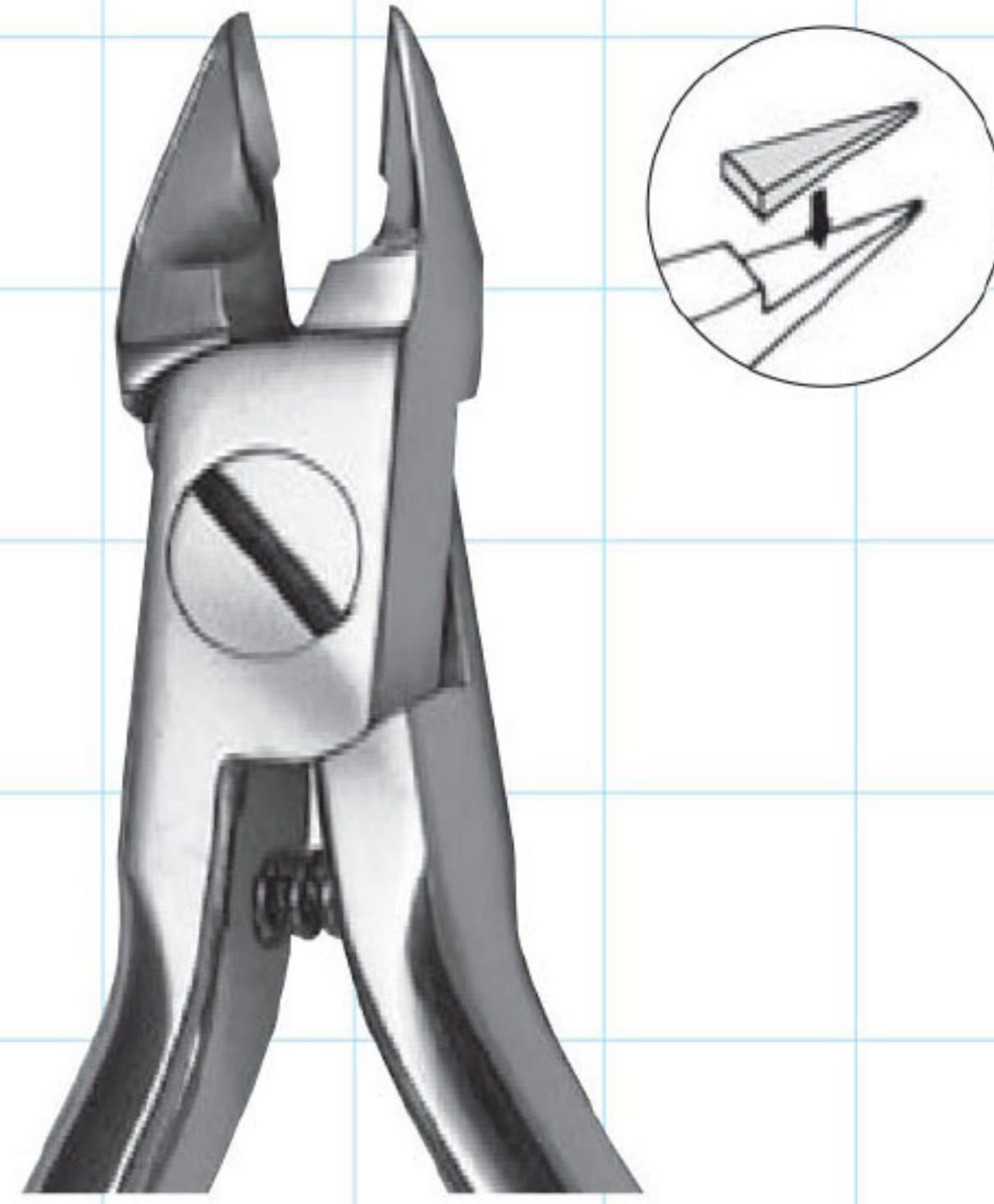
CUTTING PLIERS

● PIN & LIGATURE CUTTERS



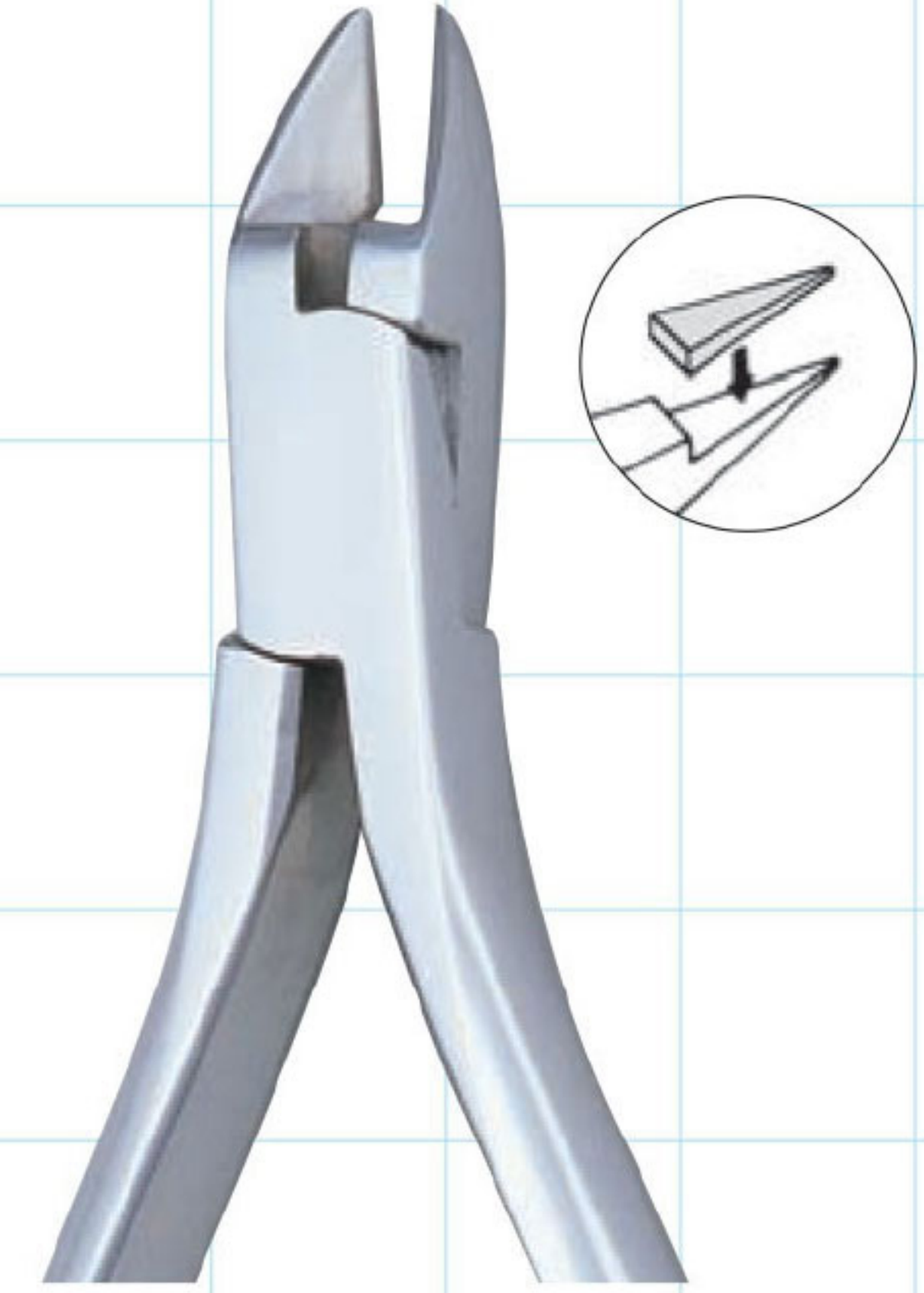
6043W

Pin & Ligature Cutter
Maximum Cutting Capacity
Ligature wires up to .016"
Elastic Ligatures
Length: 119mm



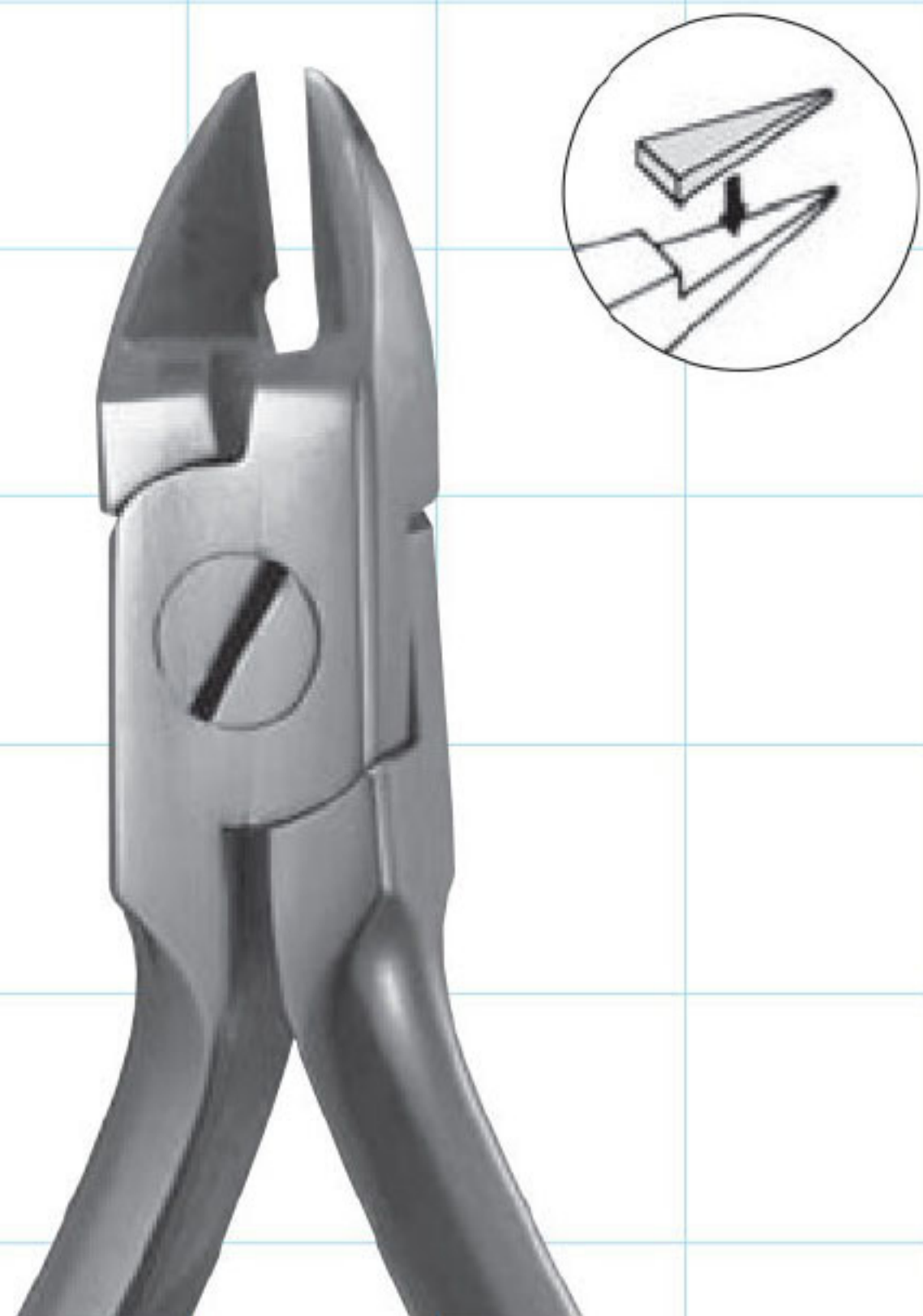
6053W

Pin & Ligature Cutter Miniature
Maximum Cutting Capacity
Ligature wires up to .016"
Elastic Ligatures
Length: 116mm



6056S

Pin & Ligature Cutter Slim
Maximum Cutting Capacity
Ligature wires up to .015"
Length: 126mm



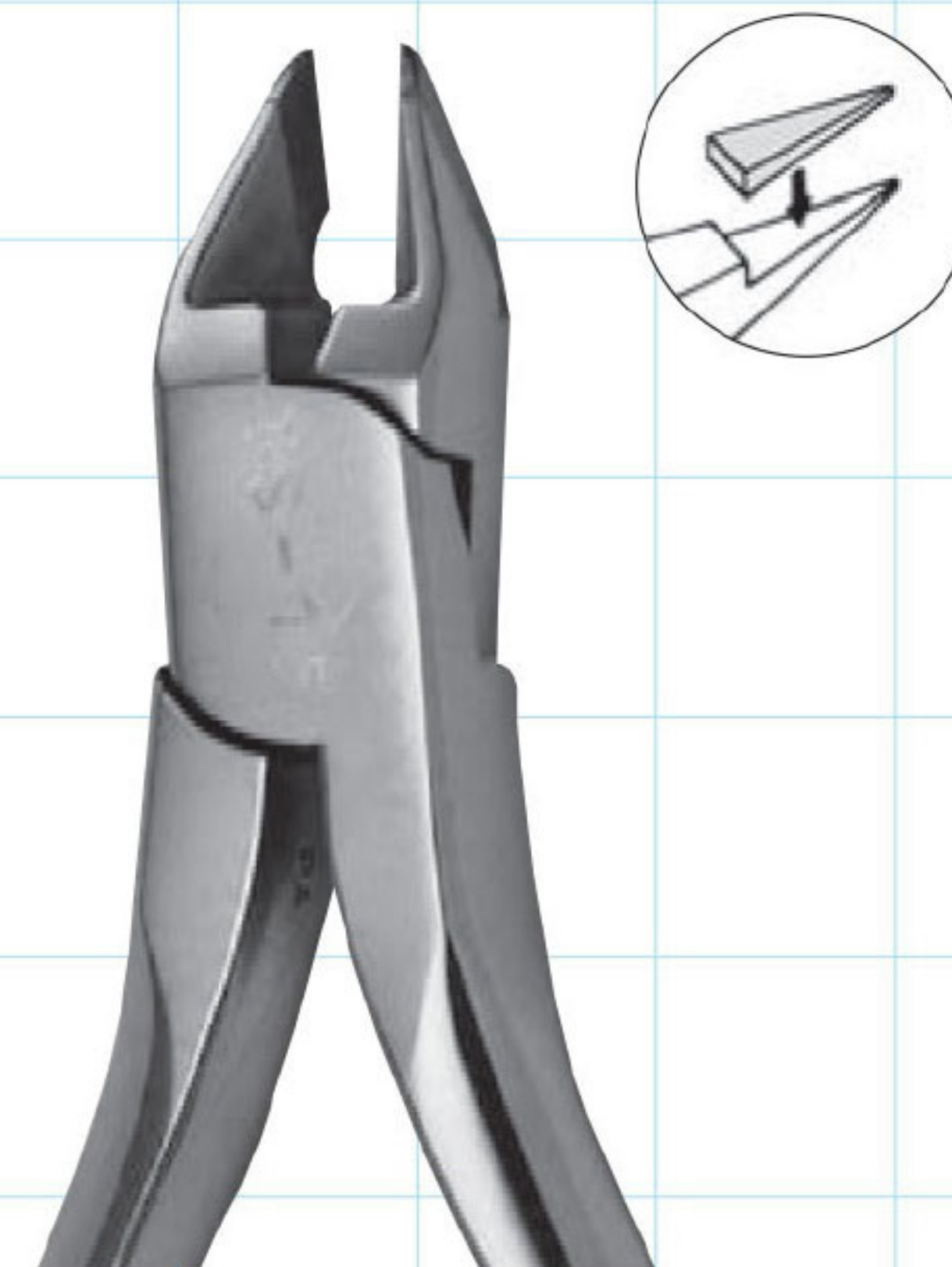
6046

Pin & Ligature Cutter
Maximum Cutting Capacity
Soft wires up to .015"
Length: 120mm



6056

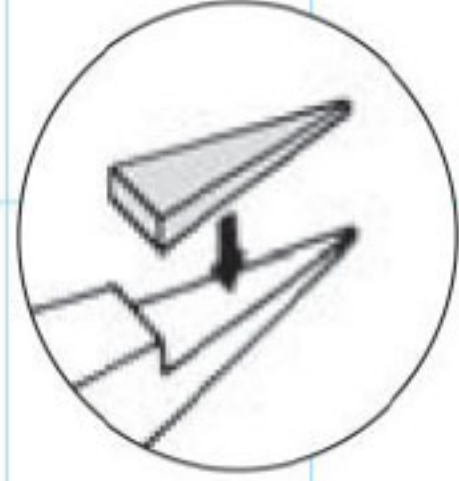
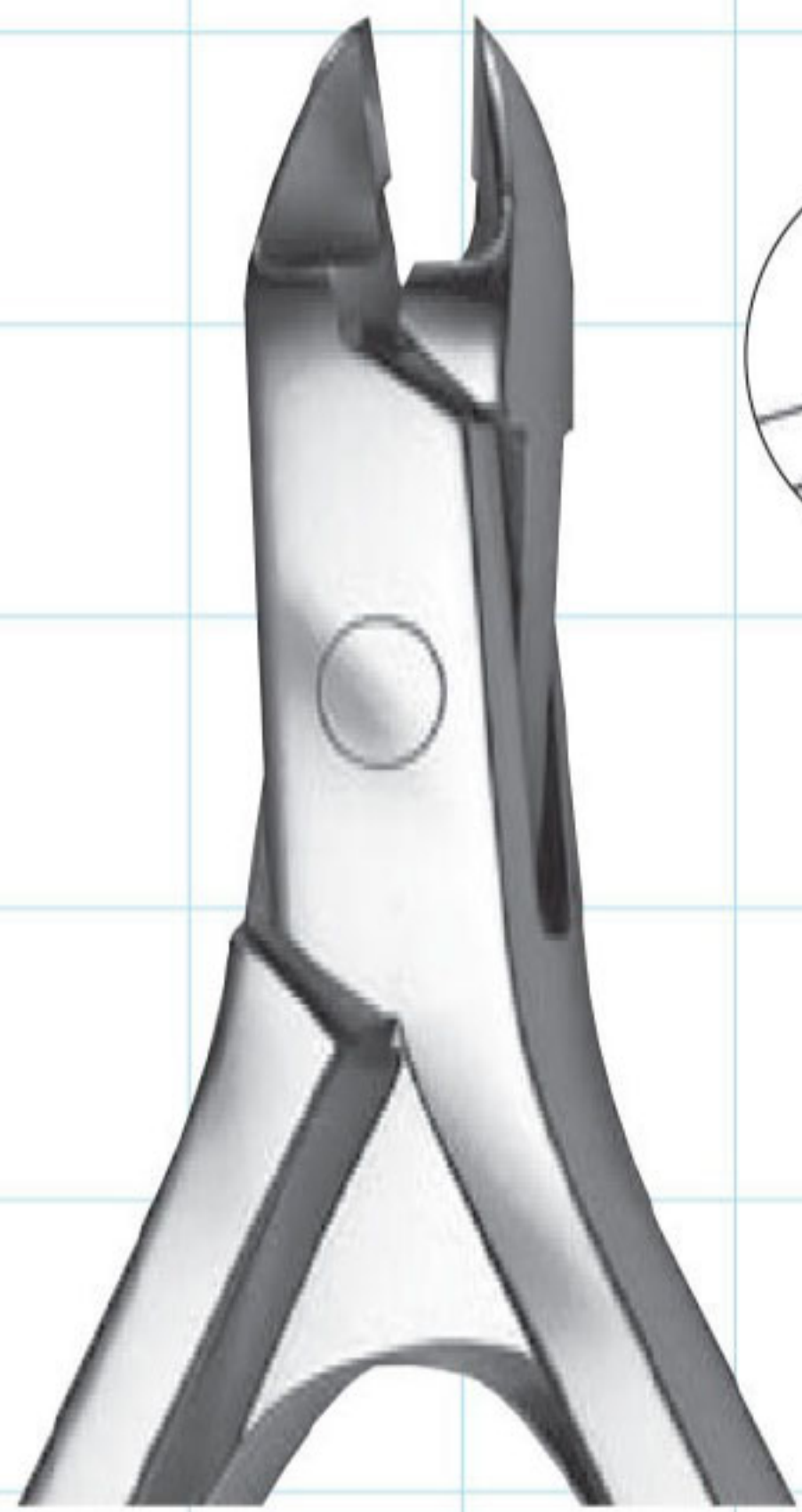
Pin & Ligature Cutter Miniature
Maximum Cutting Capacity
Soft wires up to .015"
Length: 120mm



HS-15

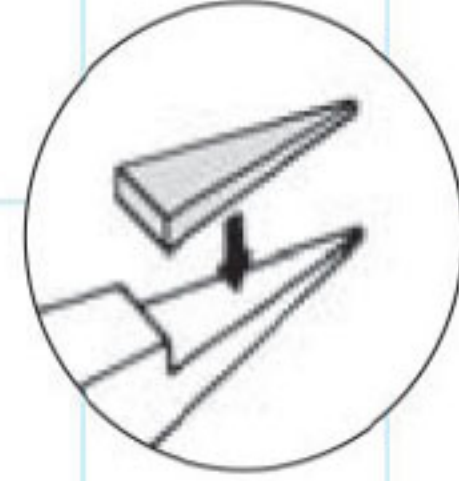
Pin & Ligature Cutter
Maximum Cutting Capacity
Ligature wires up to .016"
Elastic Ligatures
Length: 120mm

HARD WIRE CUTTER



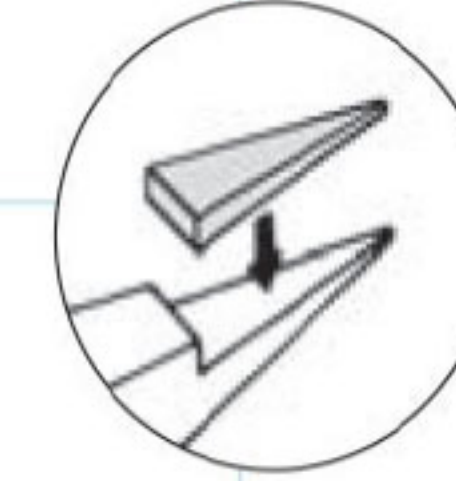
6066S

Pin & Ligature Cutter Slim
Maximum Cutting Capacity
Soft wires up to .015"
Length: 120mm



6206

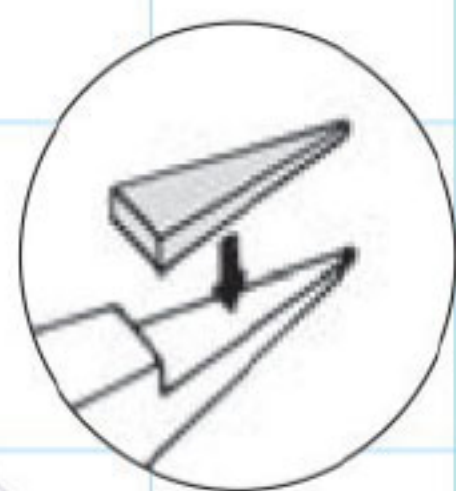
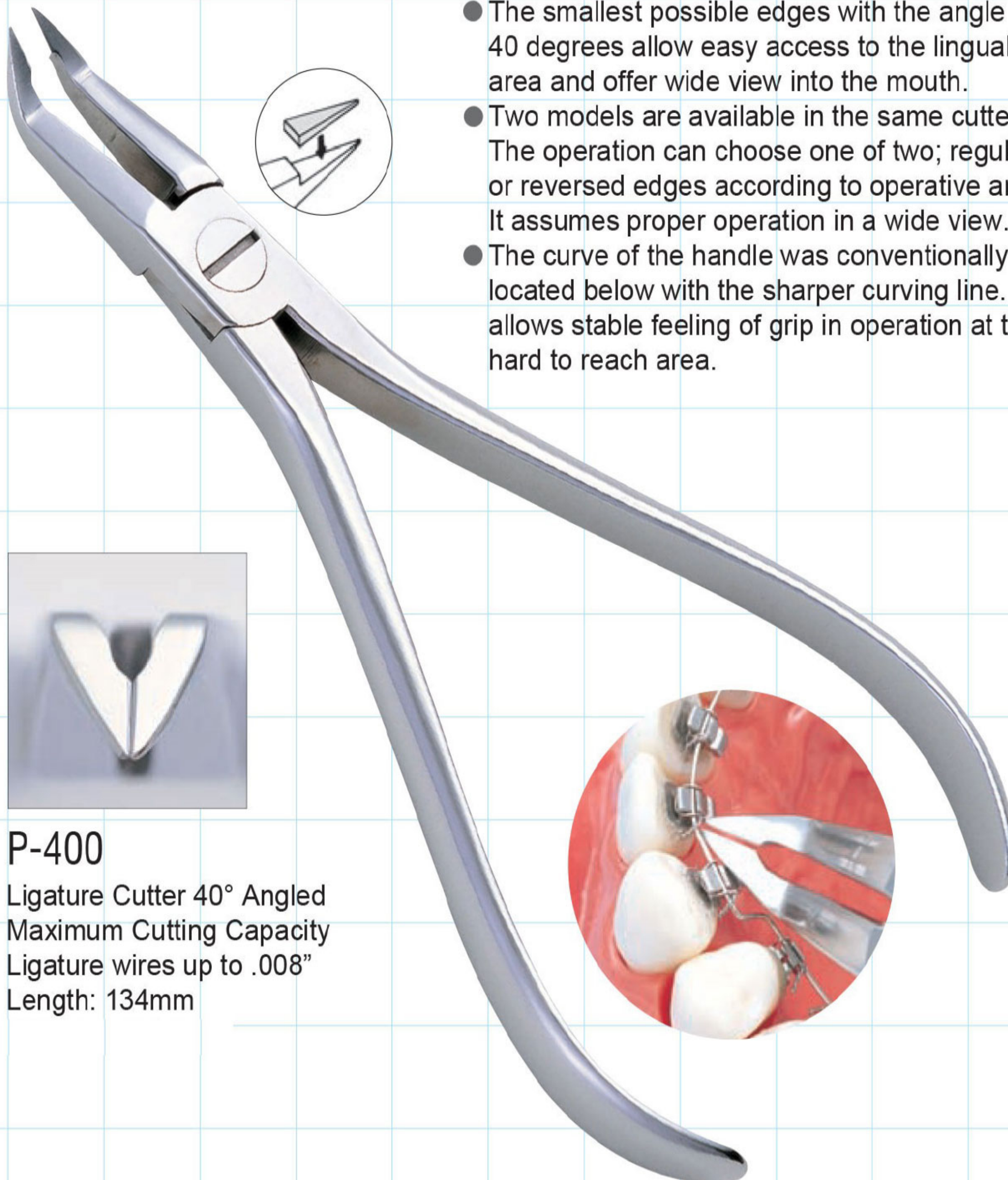
Angular Ligature Cutter 45° Angled
Maximum Cutting Capacity
Soft wires up to .015"
Length: 122mm



6046H

Hard Wire Cutter
Maximum Cutting Capacity
Hard wires up to .020" round
Length: 119mm

LIGATURE CUTTERS

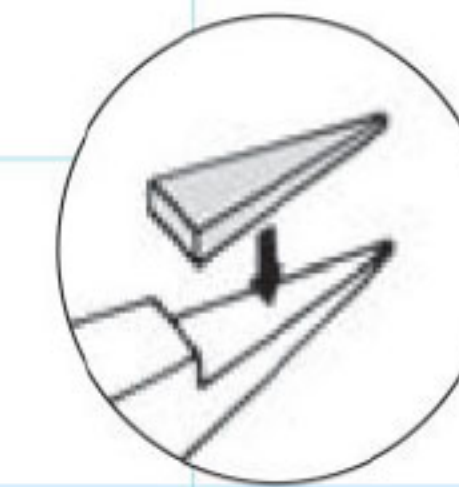


- The smallest possible edges with the angle of 40 degrees allow easy access to the lingual area and offer wide view into the mouth.
- Two models are available in the same cutters. The operation can choose one of two; regular or reversed edges according to operative area. It assumes proper operation in a wide view.
- The curve of the handle was conventionally located below with the sharper curving line. It allows stable feeling of grip in operation at the hard to reach area.



P-400

Ligature Cutter 40° Angled
Maximum Cutting Capacity
Ligature wires up to .008"
Length: 134mm



P-410

Reversed Ligature Cutter 40° Angled
Maximum Cutting Capacity
Ligature wires up to .008"
Length: 134mm

orthodontic instruments

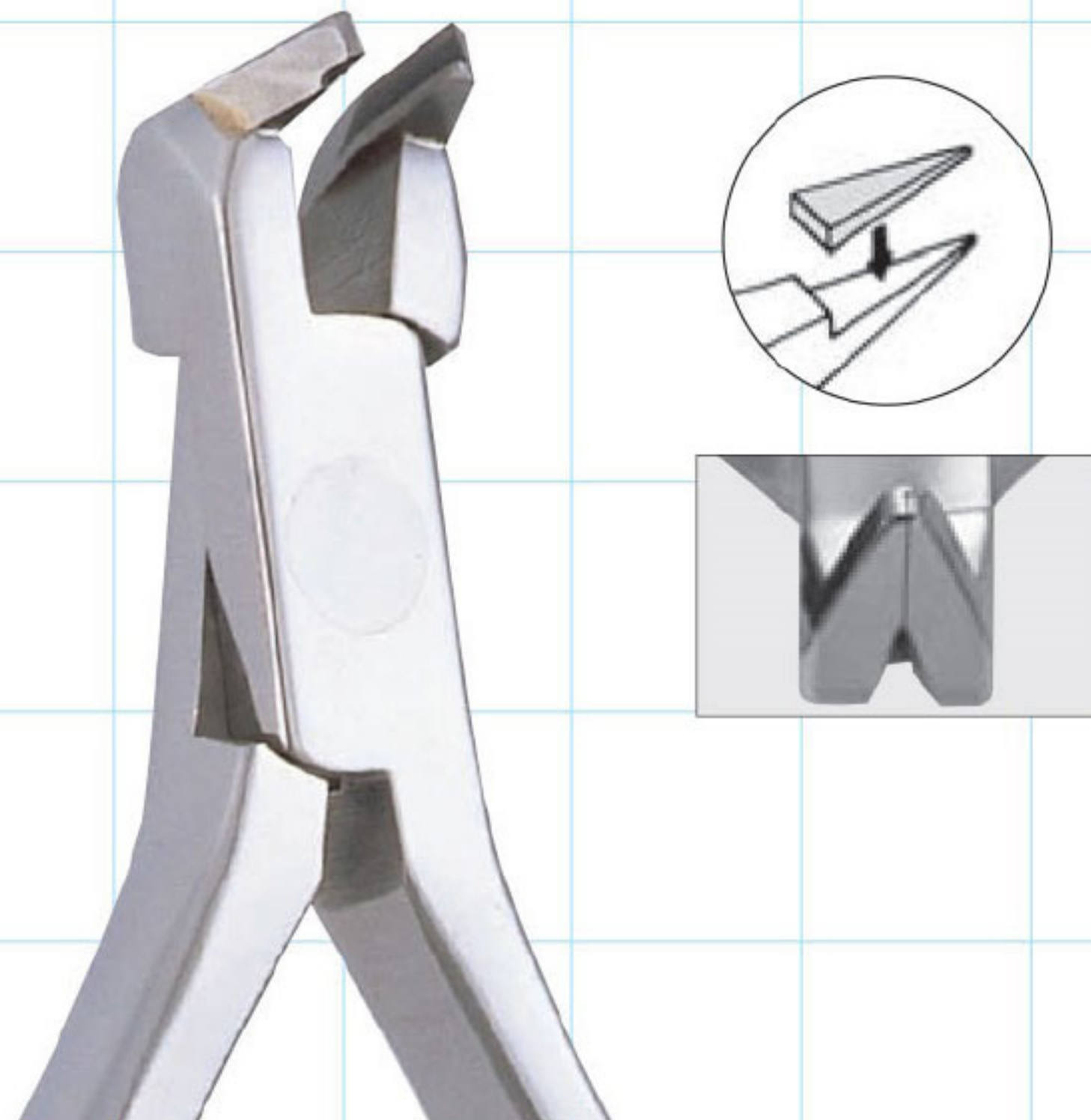
CUTTING PLIERS

● DISTAL END CUTTERS



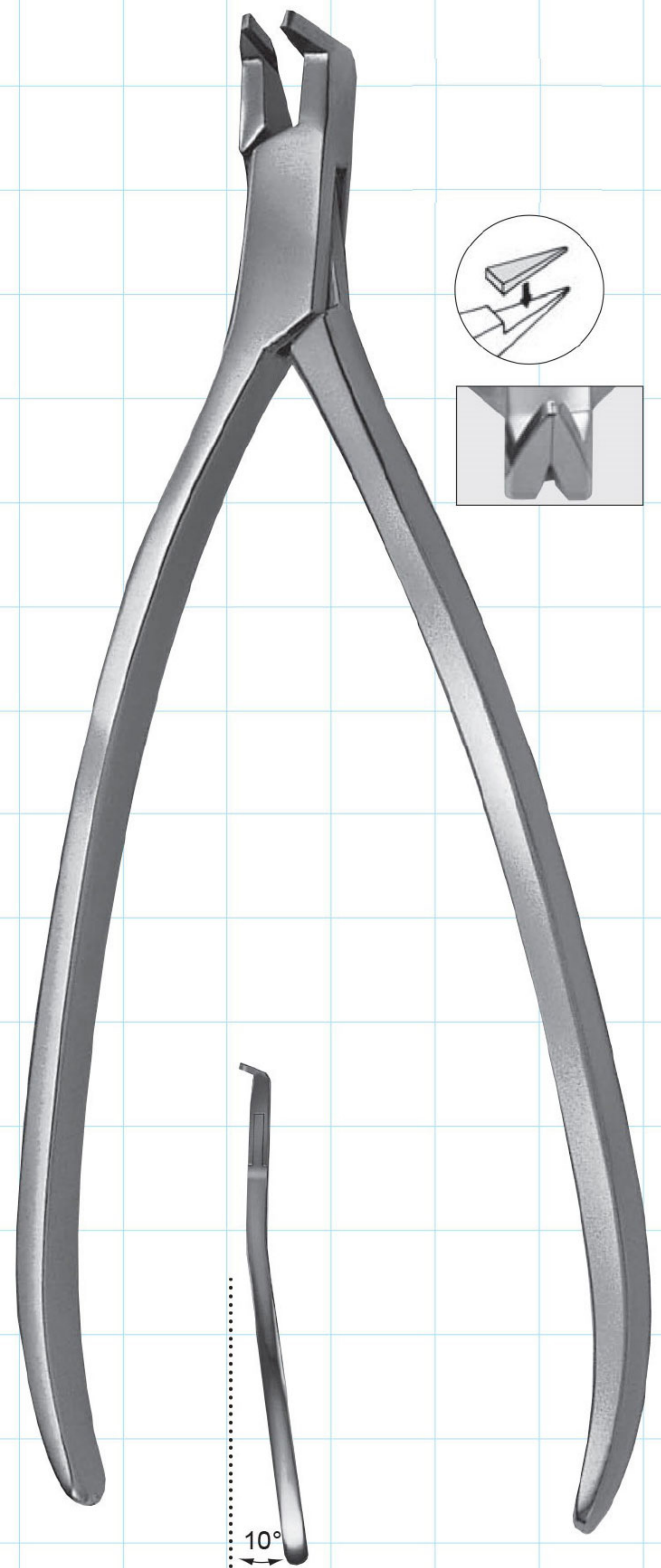
5503

Distal End Safety Cutter
Maximum Cutting Capacity
Rectangular wires up to .022" x .028"
Round wires up to .020"
Braided wires up to .016"
Length: 115mm



5503S

Distal End Safety Cutter
Maximum Cutting Capacity
Rectangular wires up to .022" x .028"
Round wires up to .020"
Braided wires up to .016"
Length: 120mm



5503SL

Distal End Safety Cutter
Maximum Cutting Capacity
Rectangular wires up to .022" x .028"
Round wires up to .020"
Braided wires up to .016"
Length: 147mm

5503SF

Distal End Safety Cutter Slim Flush Cut
Maximum Cutting Capacity
Rectangular wires up to .022" x .028"
Round wires up to .020"
Braided wires up to .021" x .025"
Length: 121mm

- Flush Cut permits to cut wires flush to buccal tubes.
- Holds any size of wires made of stainless steel or Nit-Ti alloy at the hold ring in heat-proof rubber.



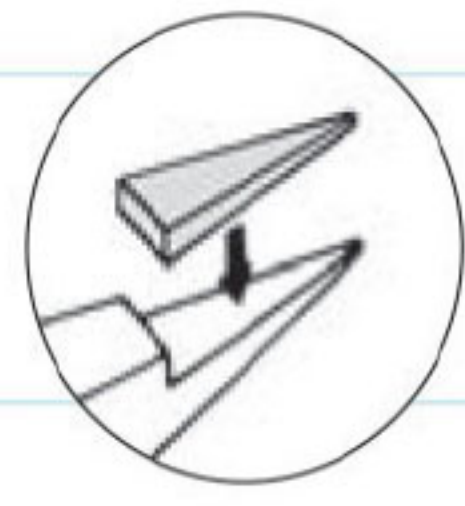
5

10

15

20

● **FLAT CUTTER**



30-550FL

Distal End Safety Cutter Flush Cut Long Handle
Maximum Cutting Capacity
Rectangular wires up to .022"×.028"
Round wires up to .020"
Braided wires up to .021"×.025"
Length: 147mm



● **WIRE CUTTERS**

0046

Power Cutter
Maximum Cutting Capacity
Hard & Soft wires up to 1.5mm (0.059")
Length: 168m



WIRE NIPPER #3

Wire Nipper
Maximum Cutting Capacity
Hard & Soft wires up to 1.2mm (0.047")
Length: 153mm

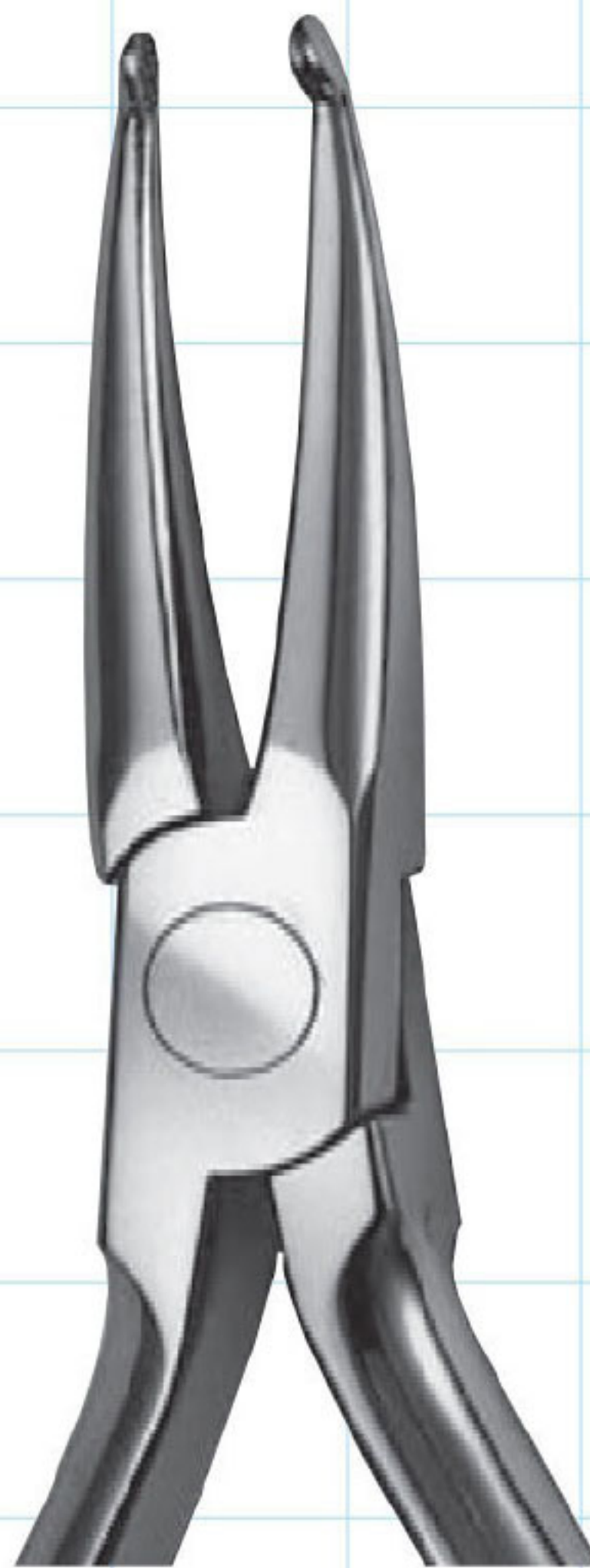
orthodontic instruments

UTILITY PLIERS

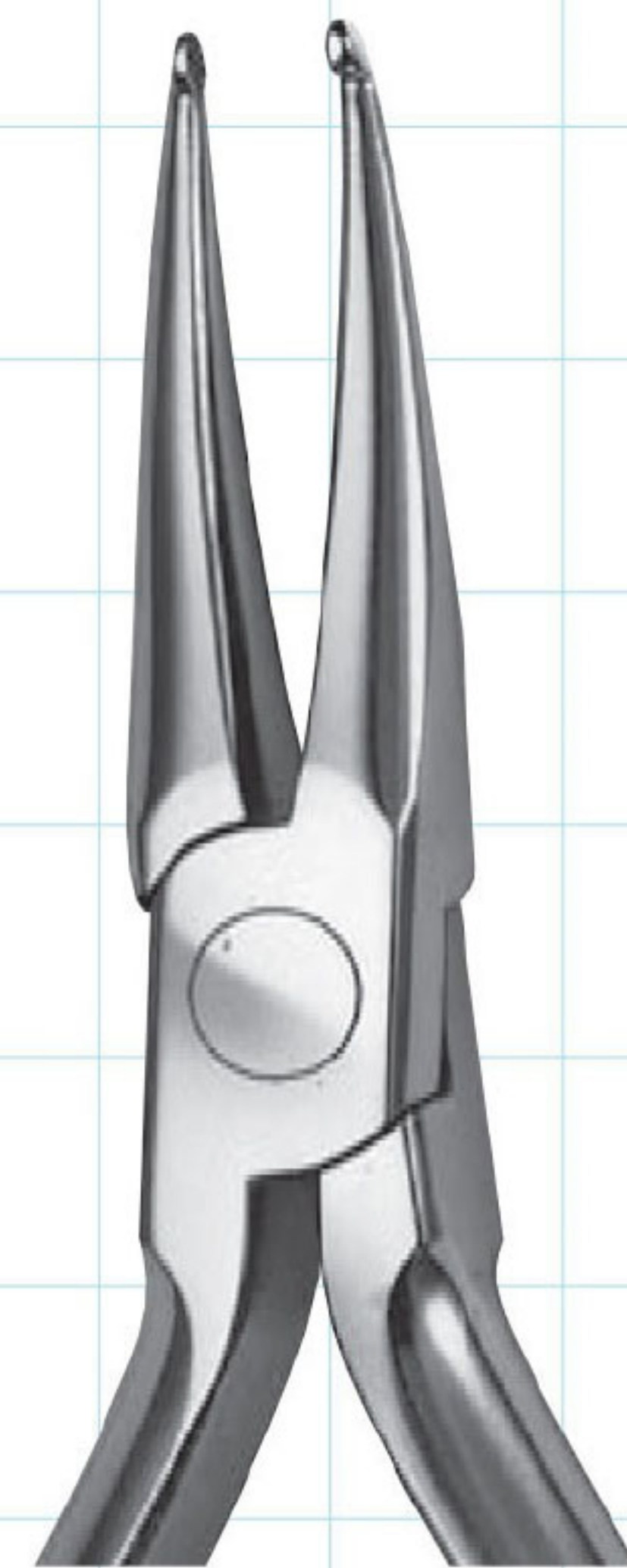
● HOW PLIERS



3066T
How Pliers
Tips: 3.2mm (1/8") diameter
Length: 138mm

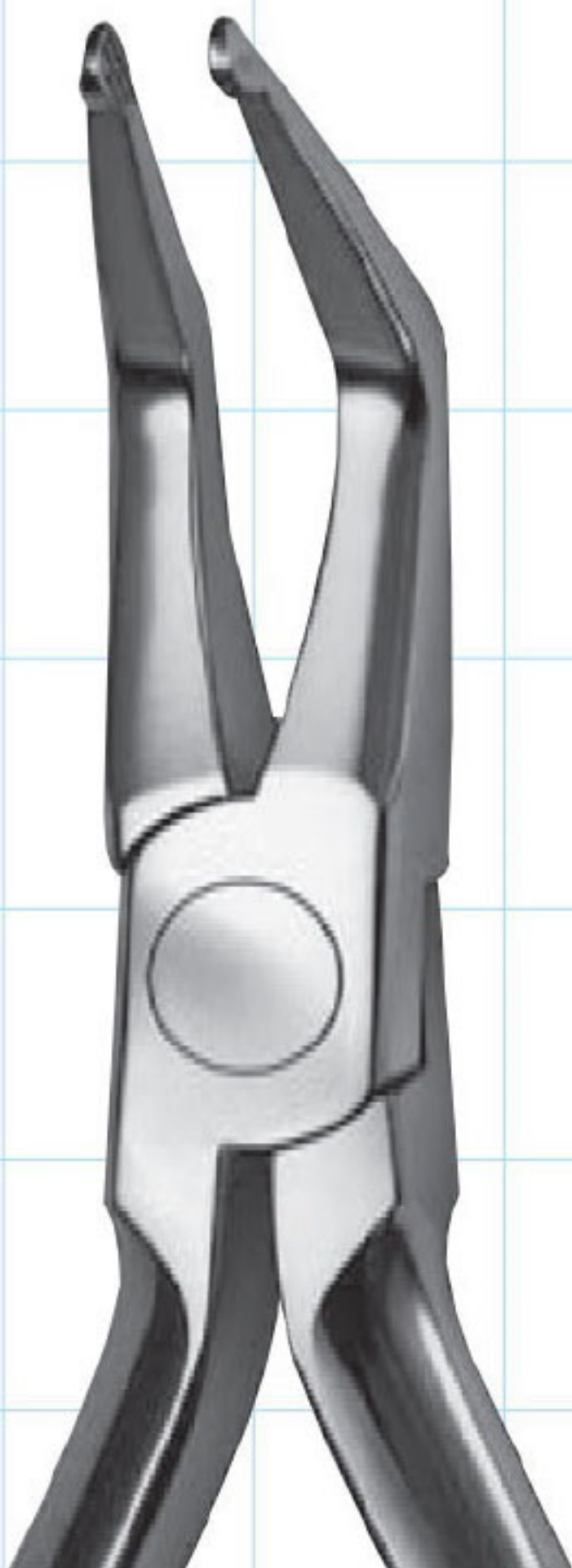


3066
How Pliers
Tips: 3.2mm (1/8") diameter
Length: 138mm



3076
How Pliers Small
Tips: 2.4mm (3/32") diameter
Length: 138mm

● WEINGART UTILITY PLIER



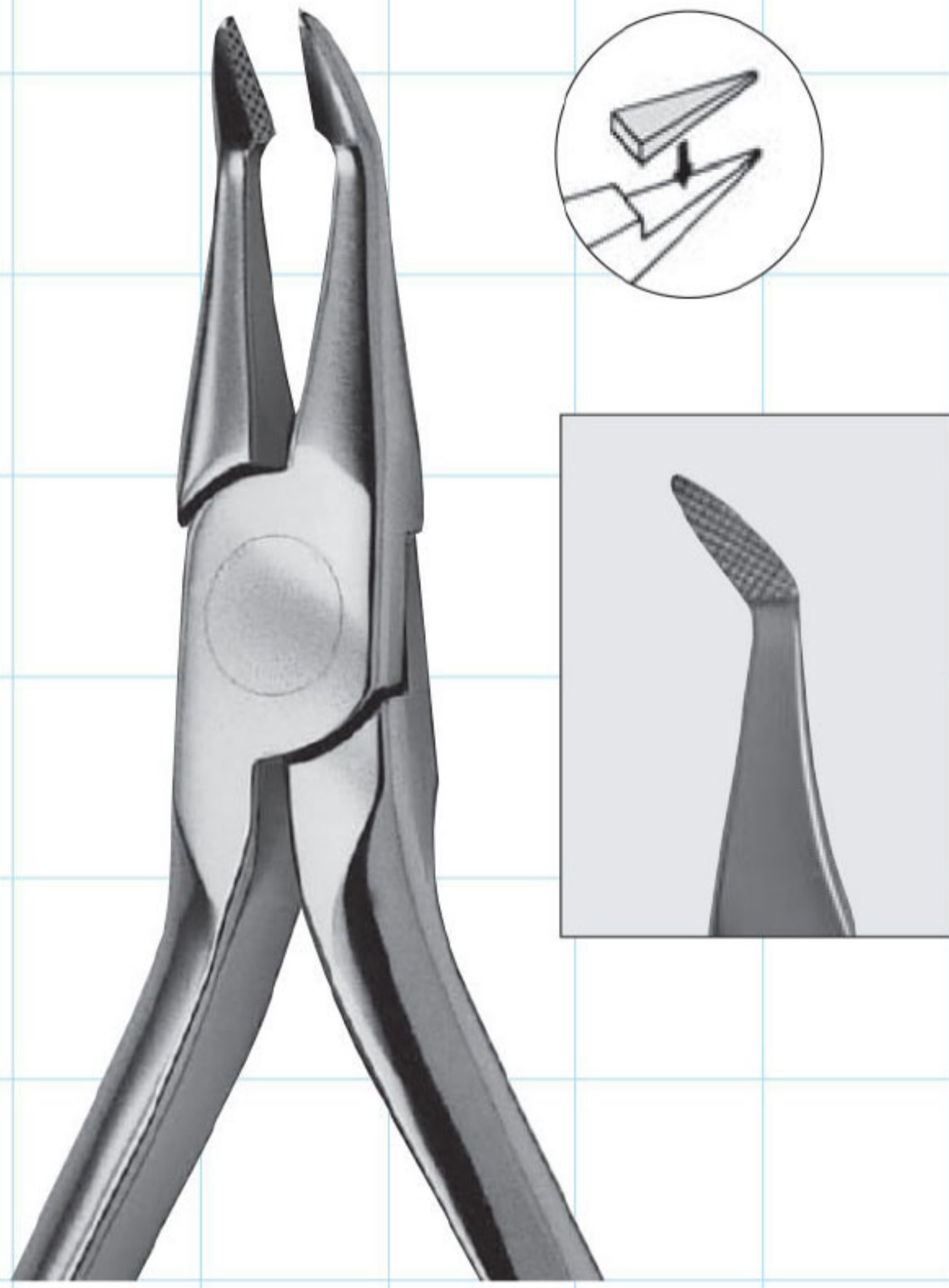
3086
How Pliers Offset
Tips: 3.1mm (1/8") diameter
Length: 136mm



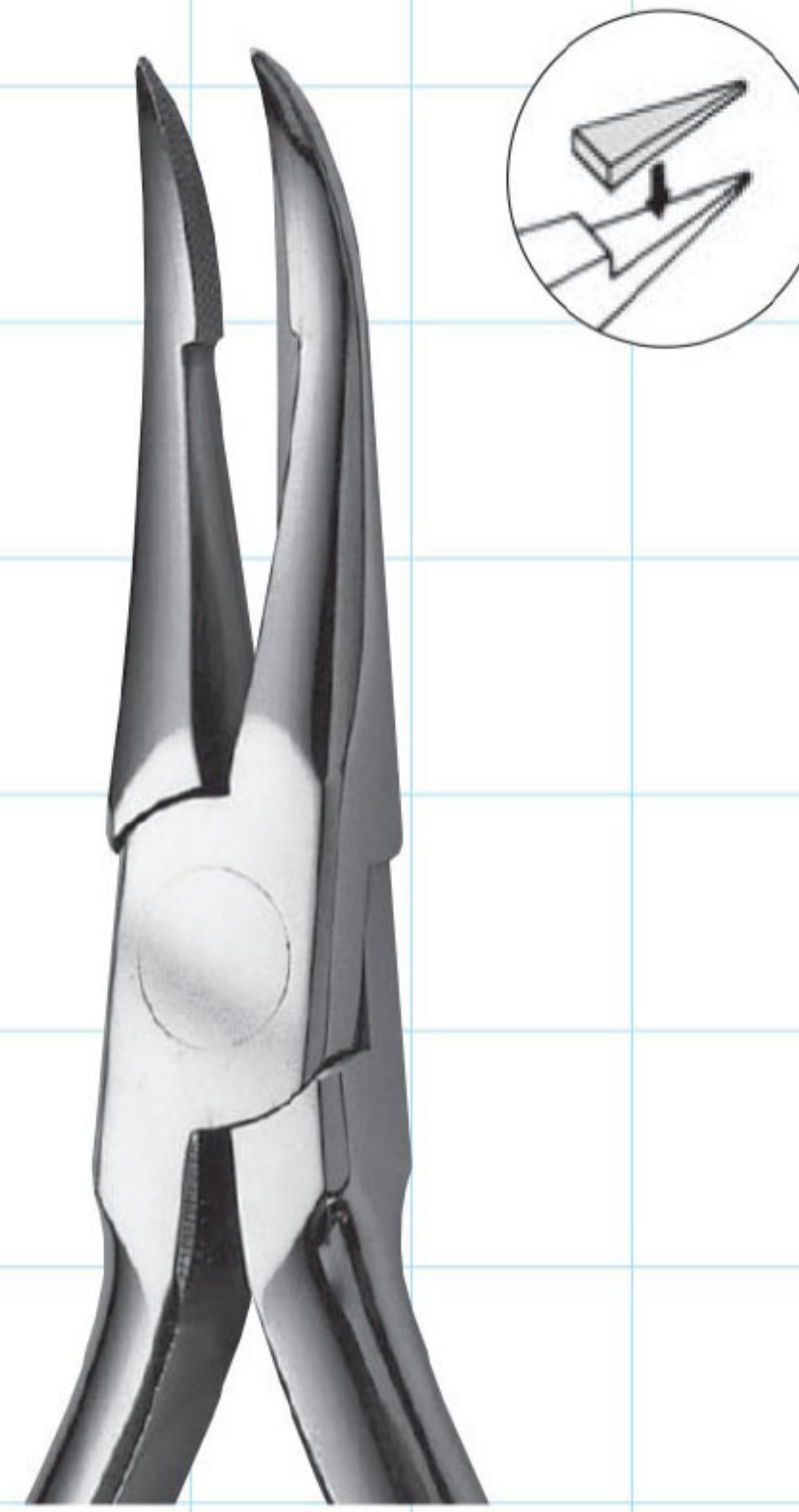
5046
Weingart Utility Pliers
Length: 147mm



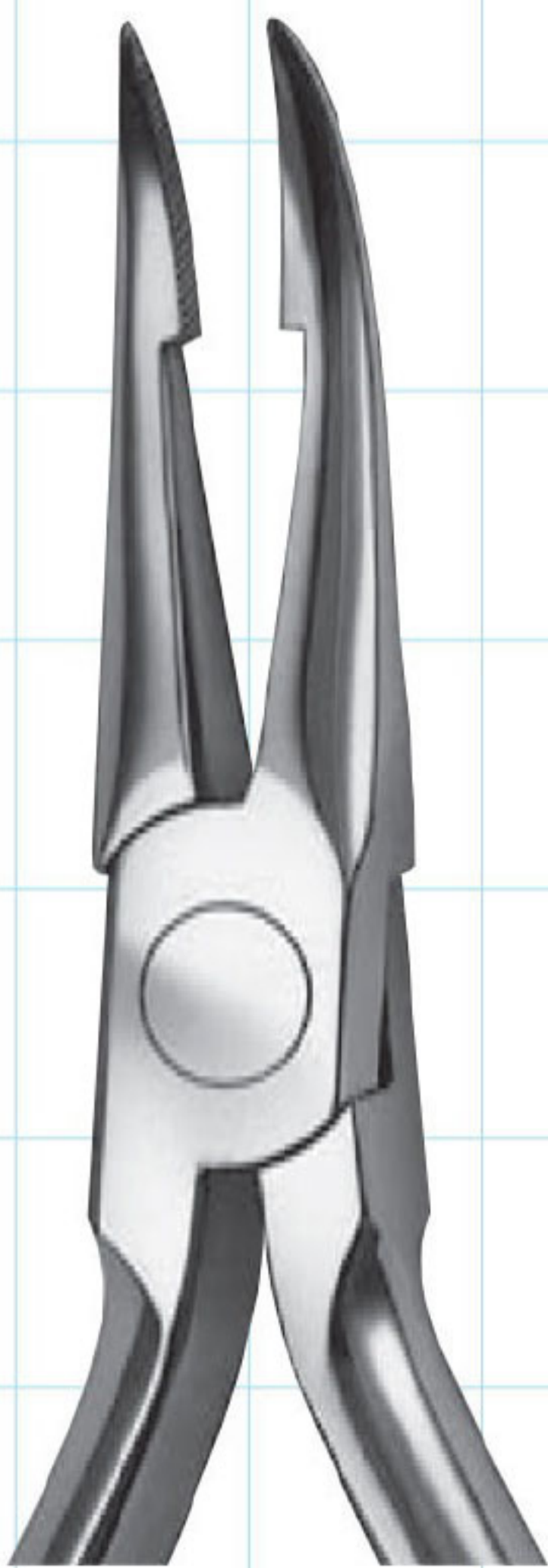
WEINGART UTILITY PLIERS



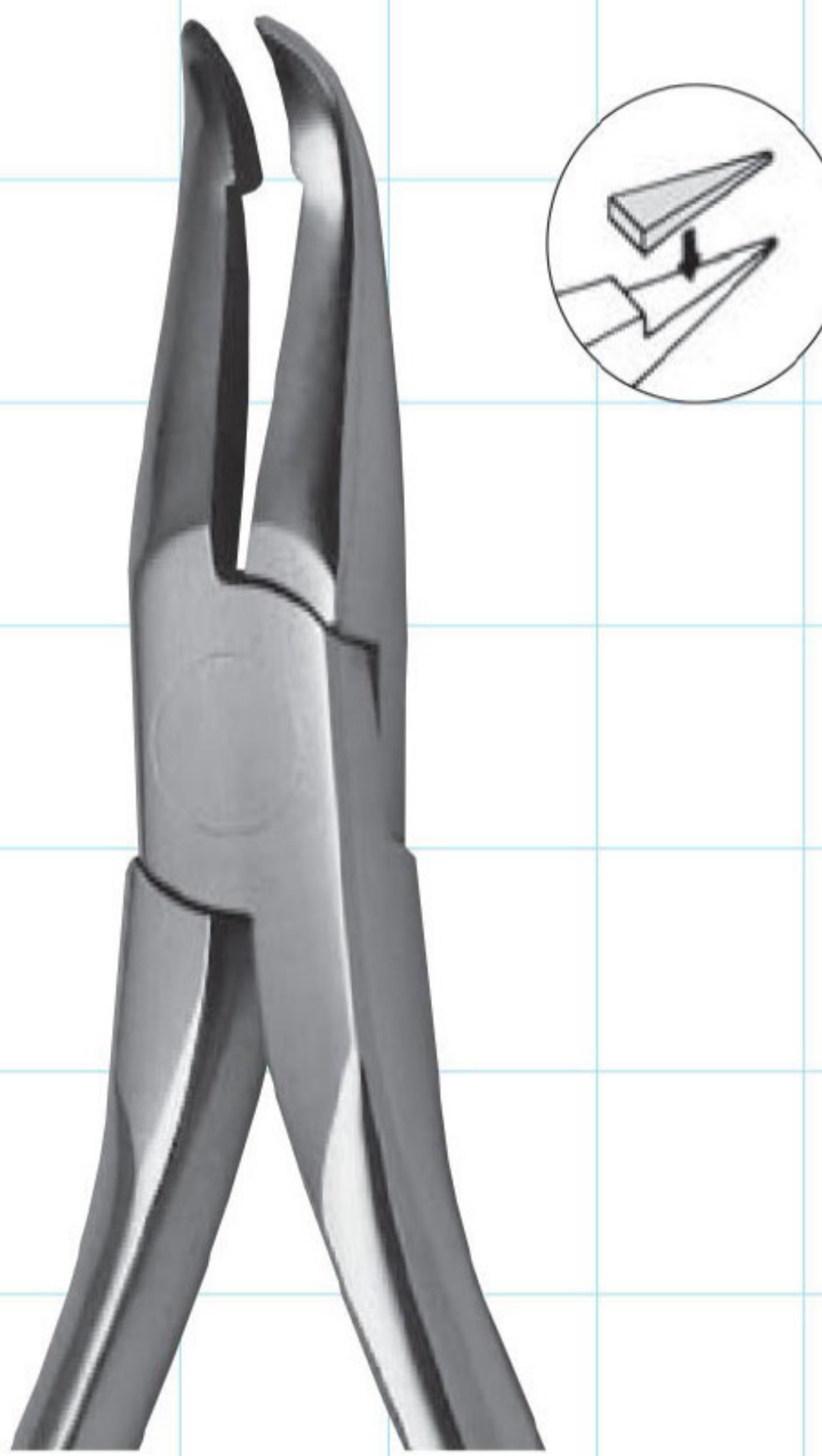
5023T
Pin & Ligature Cutter
Weingart Utility Pliers
Length: 127mm



5016T
Weingart Utility Pliers
Length: 136mm



5016
Weingart Utility Pliers
Length: 136mm

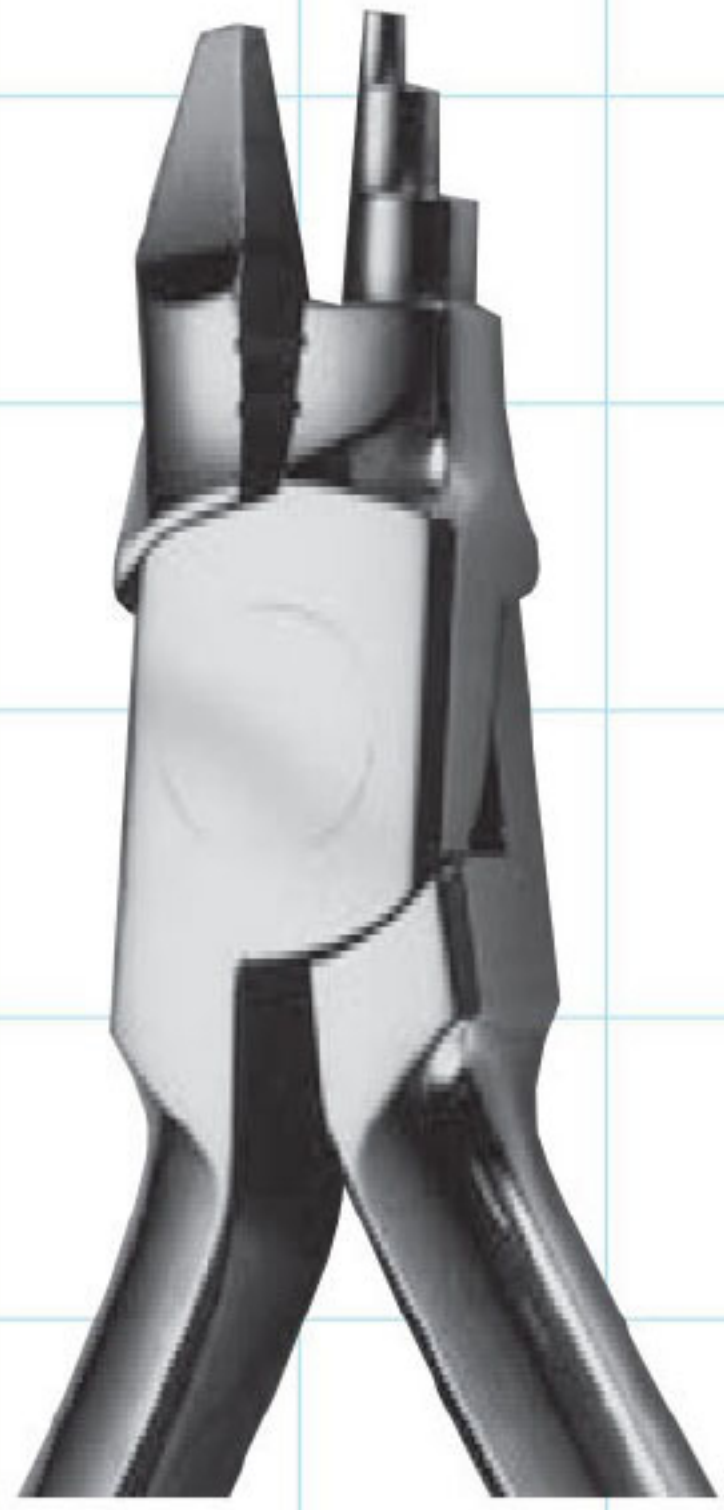


HS-20
Weingart Utility Pliers
Length: 128mm

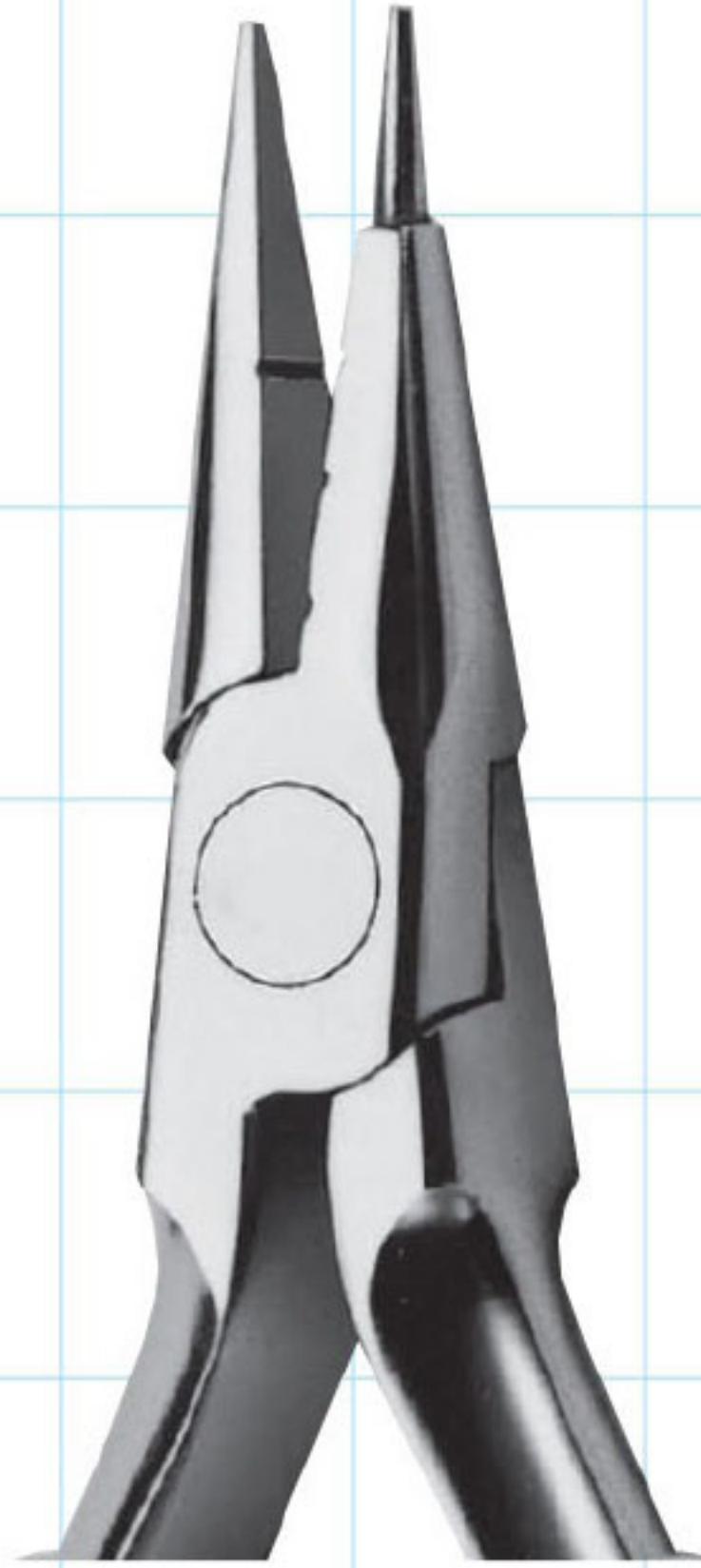
orthodontic instruments

BENDING PLIERS

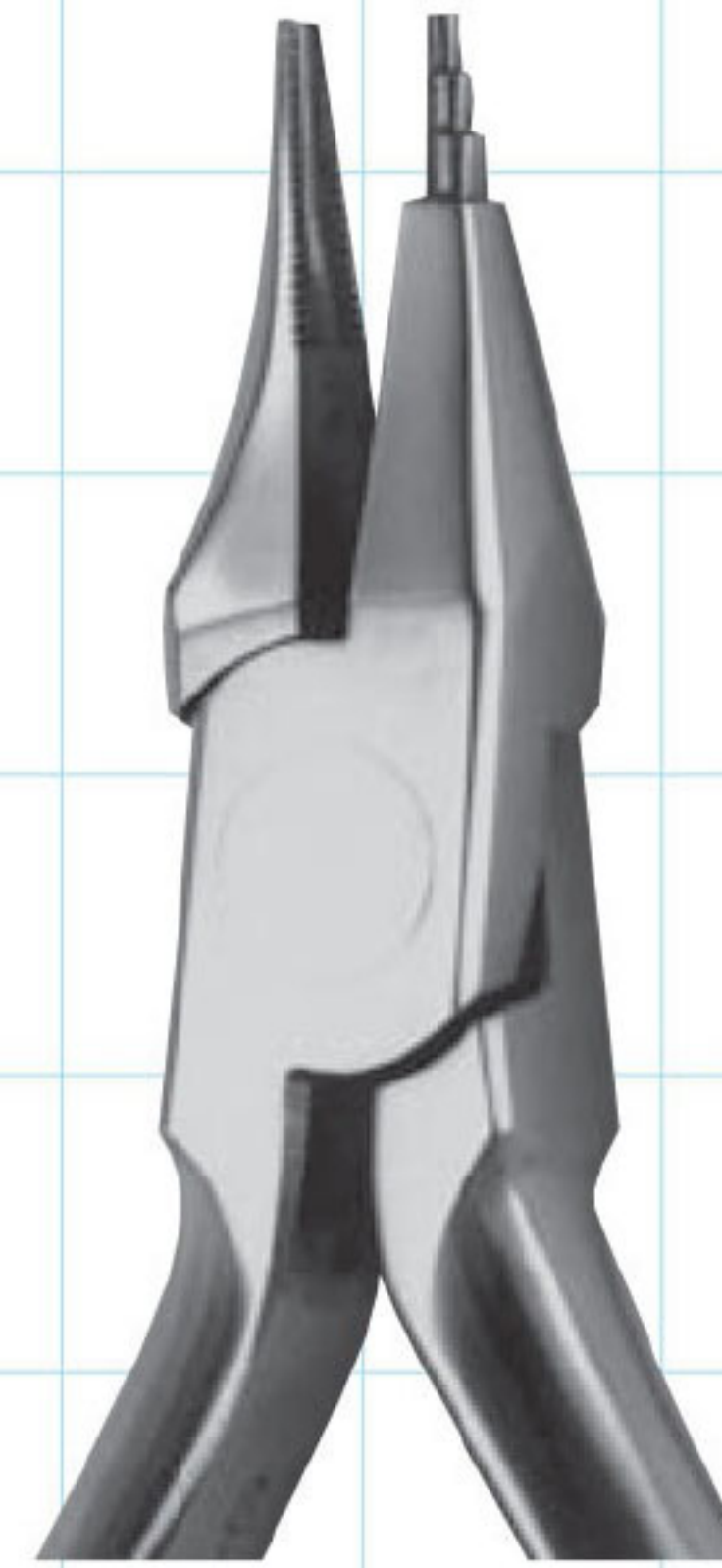
● LOOP FORMING PLIERS



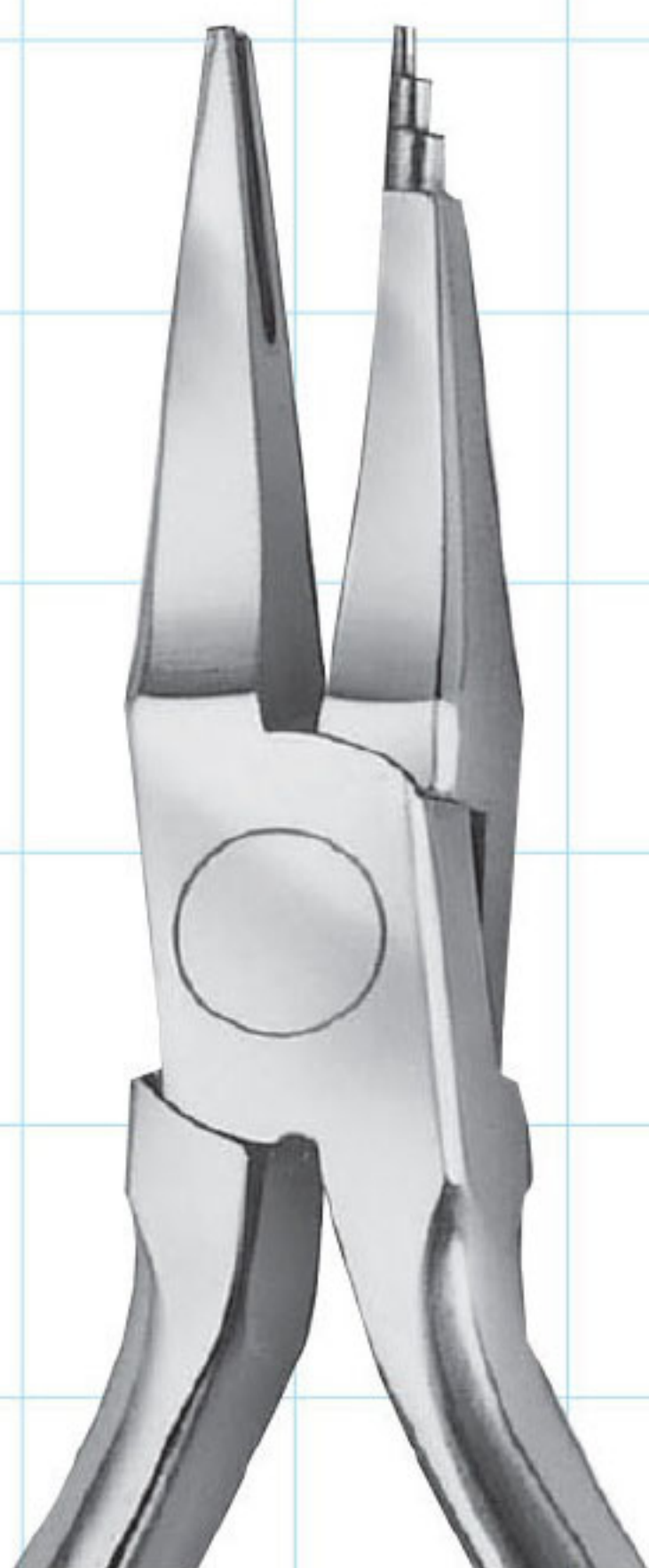
0746
Young Pliers
Maximum Bending Capacity
Wires up to .040"
Length: 120mm



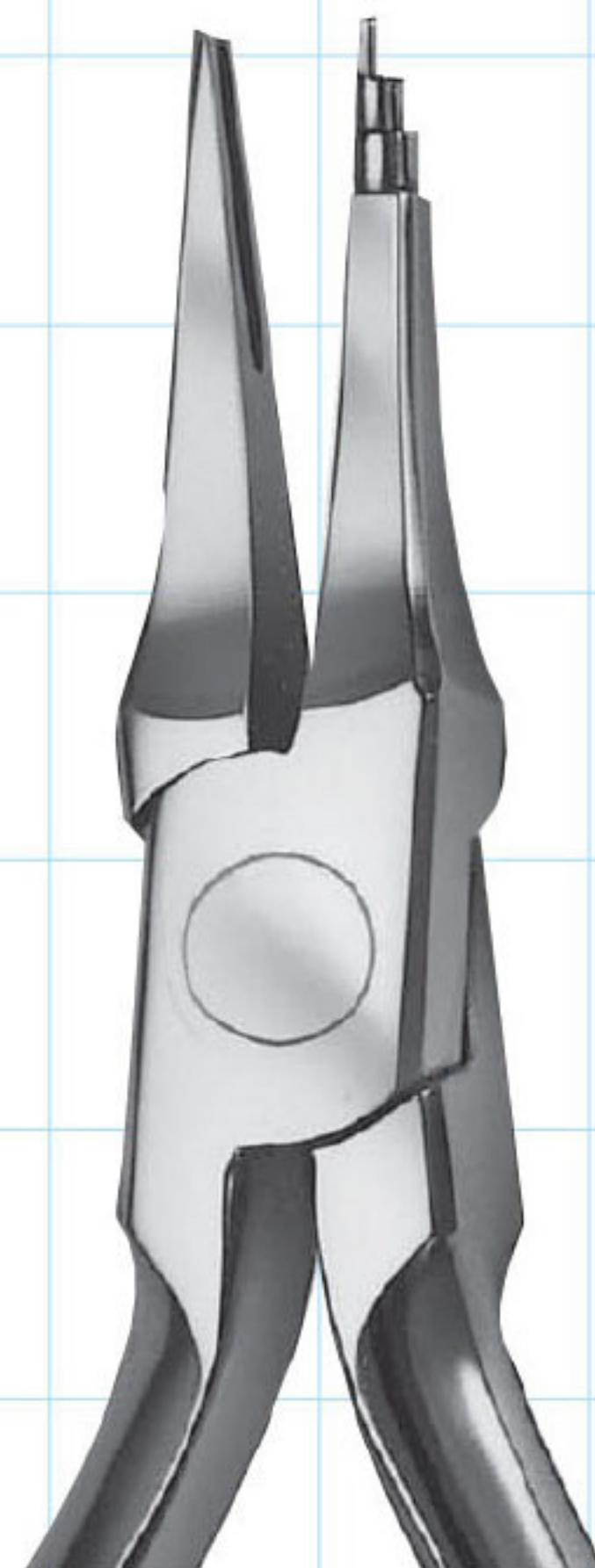
2136
Jarabak Pliers
Maximum Bending Capacity
Wires up to .020"
Length: 127mm



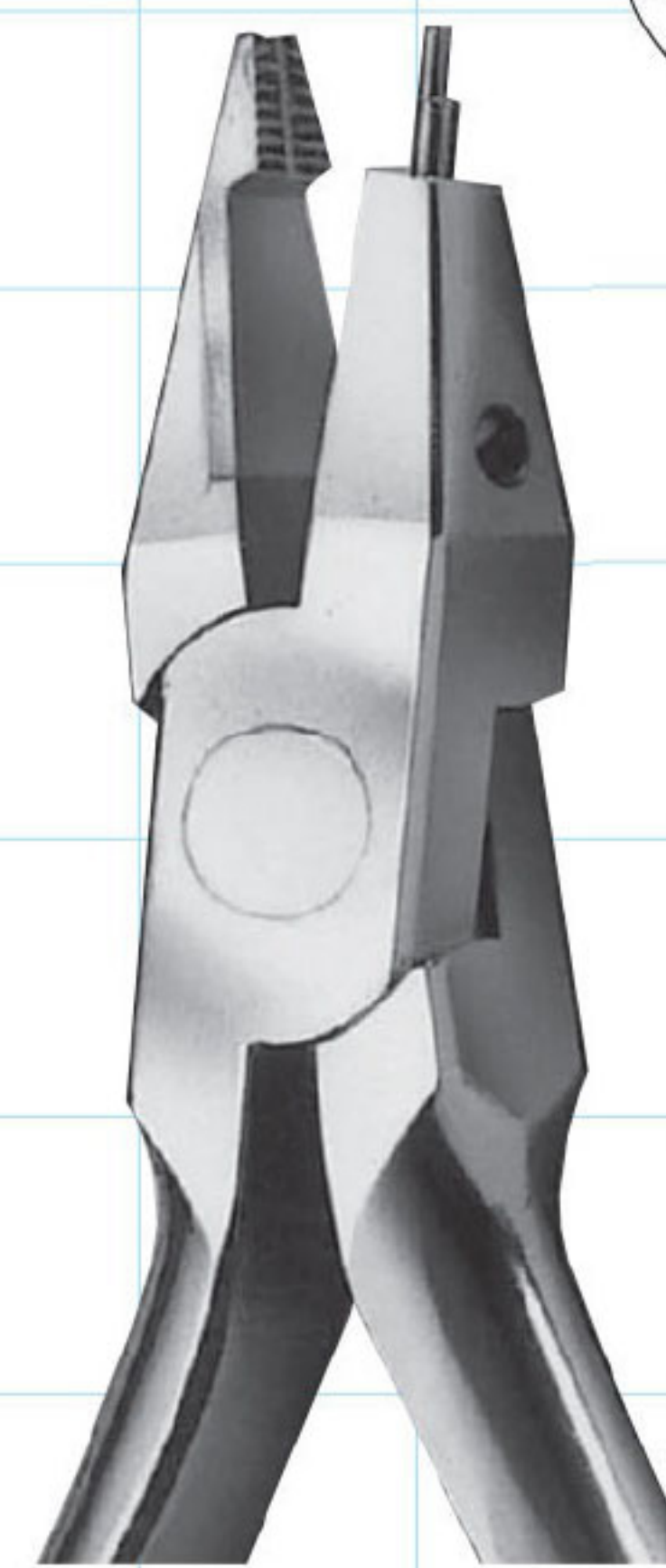
3056
Loop Forming Pliers
Maximum Bending Capacity
Wires up to .022"
Length: 125mm



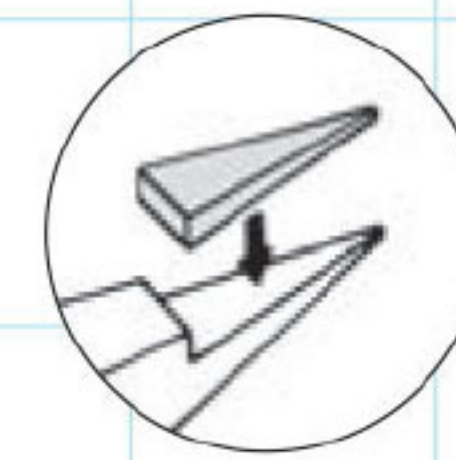
3046
Tweed Loop Forming Pliers
Maximum Bending Capacity
Wires up to .022"
Length: 131mm

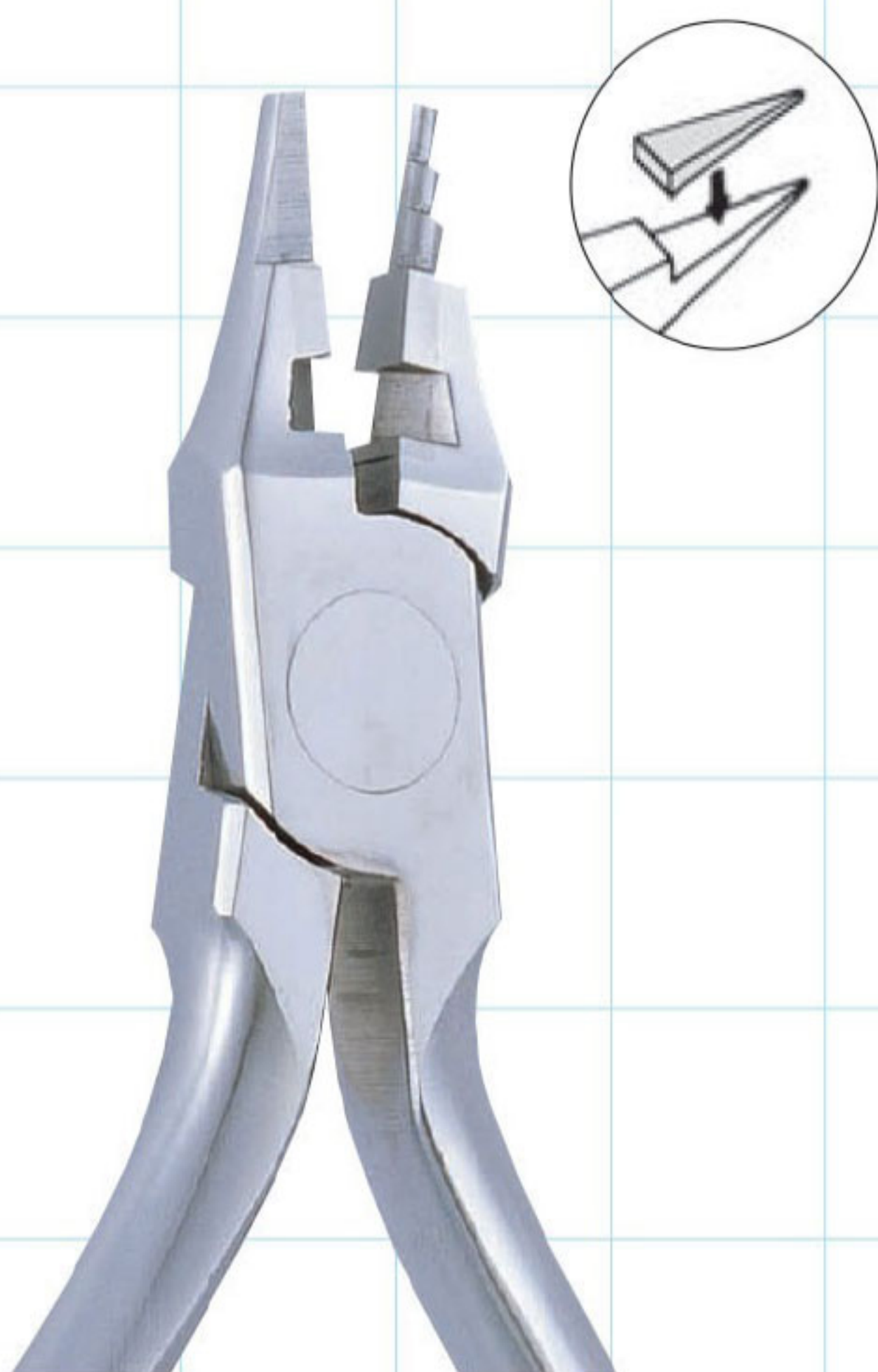


3046S
Omega Loop Forming Pliers
Maximum Bending Capacity
Wires up to .022"
Length: 132mm



3046TR
Tweed Loop Forming Pliers
Maximum Bending Capacity
Rectangular wires up to .022" x .028"
Length: 124mm





4306CK

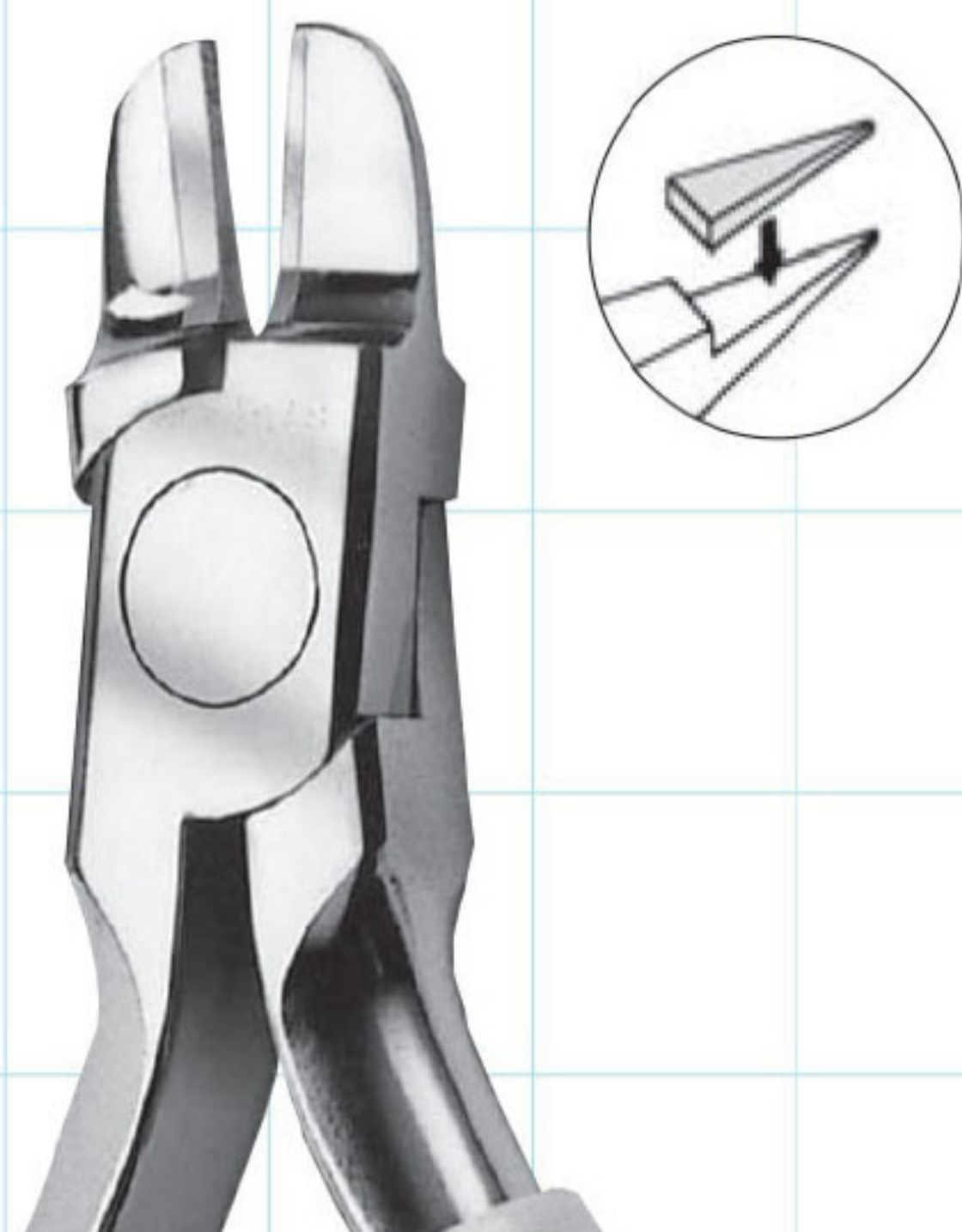
Kim Pliers with Cutter
 Maximum Bending Capacity
 Rectangular wires up to .016" x .022"
 Length: 121mm



3026

Nance Closing Loop Pliers
 Maximum Bending Capacity
 Wires up to .022"
 Beaks are parallel at .020" opening
 Length: 117mm

● TORQUING PLIERS



3036T

Tweed Arch Bending Pliers
 Maximum Bending Capacity
 Rectangular wires up to .022" x .028"
 Beaks are .060" wide, parallel at .020" opening
 Length: 117mm



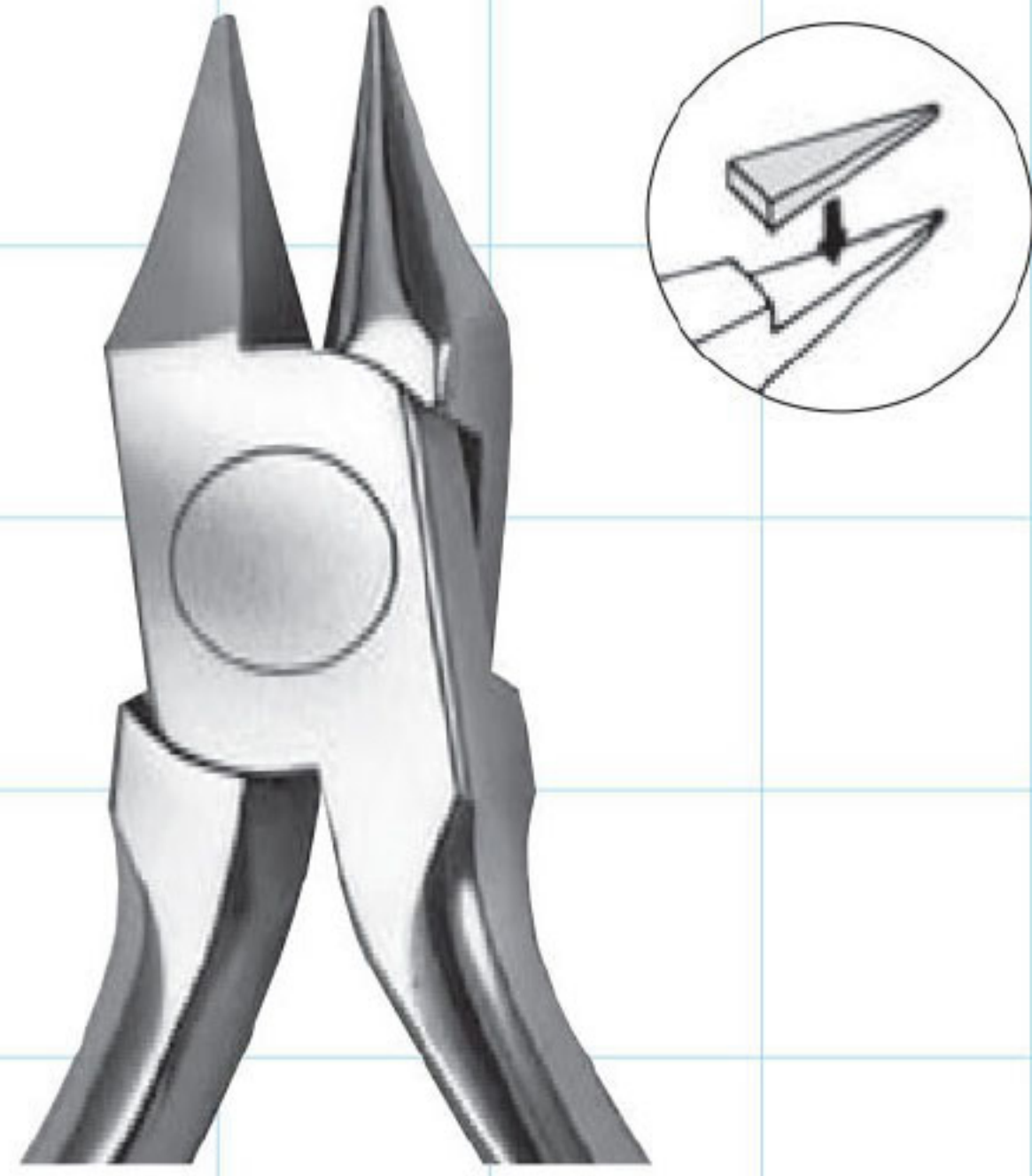
3036

Tweed Arch Bending Pliers
 Maximum Bending Capacity
 Rectangular wires up to .022" x .028"
 Beaks are .043" wide, parallel at .020" opening
 Length: 117mm

orthodontic instruments

BENDING PLIERS

● BIRD BEAK PLIERS



3143T

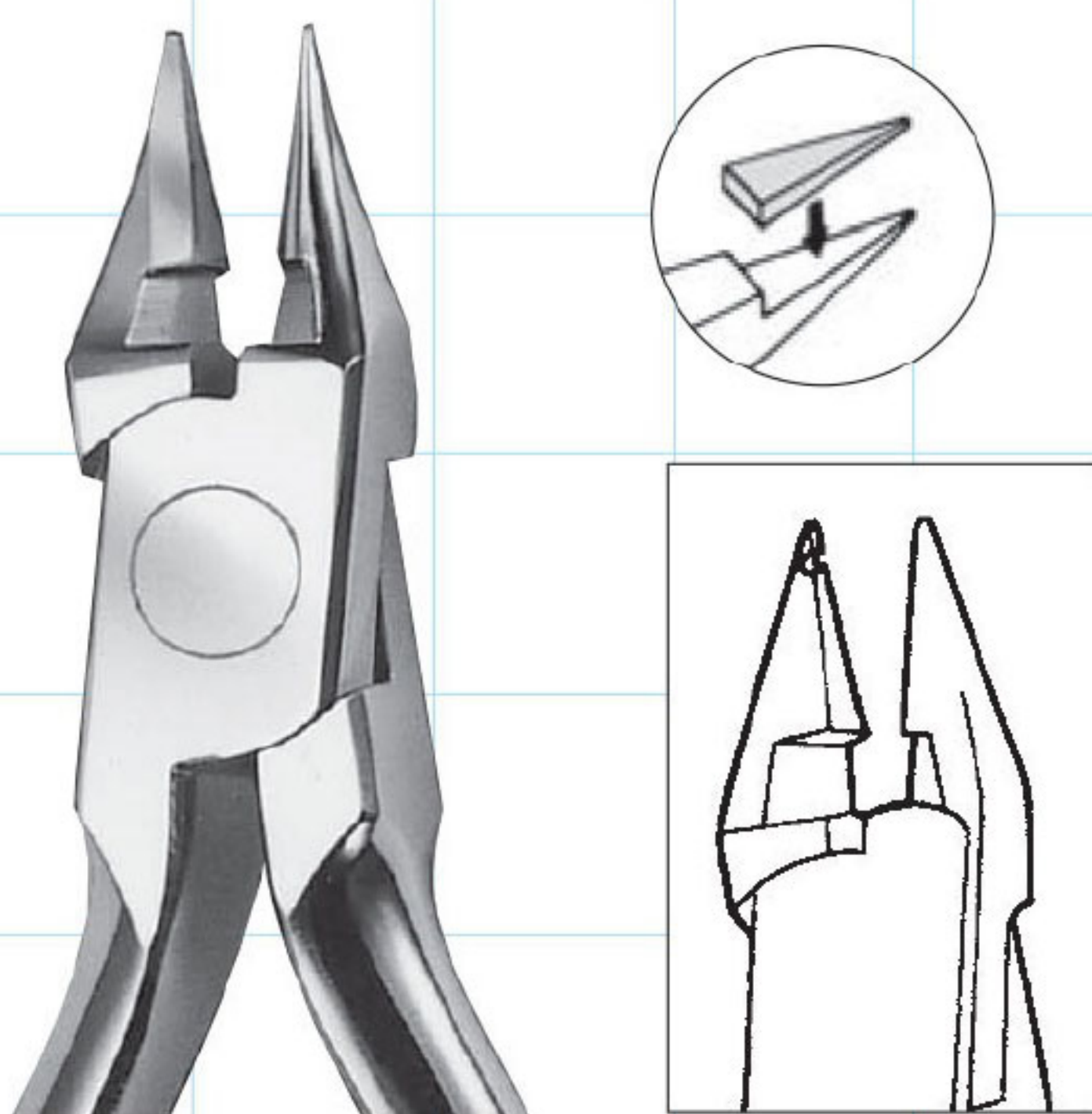
Bird Beak Pliers
Maximum Bending Capacity
Wires up to .032
Length: 117mm



3146

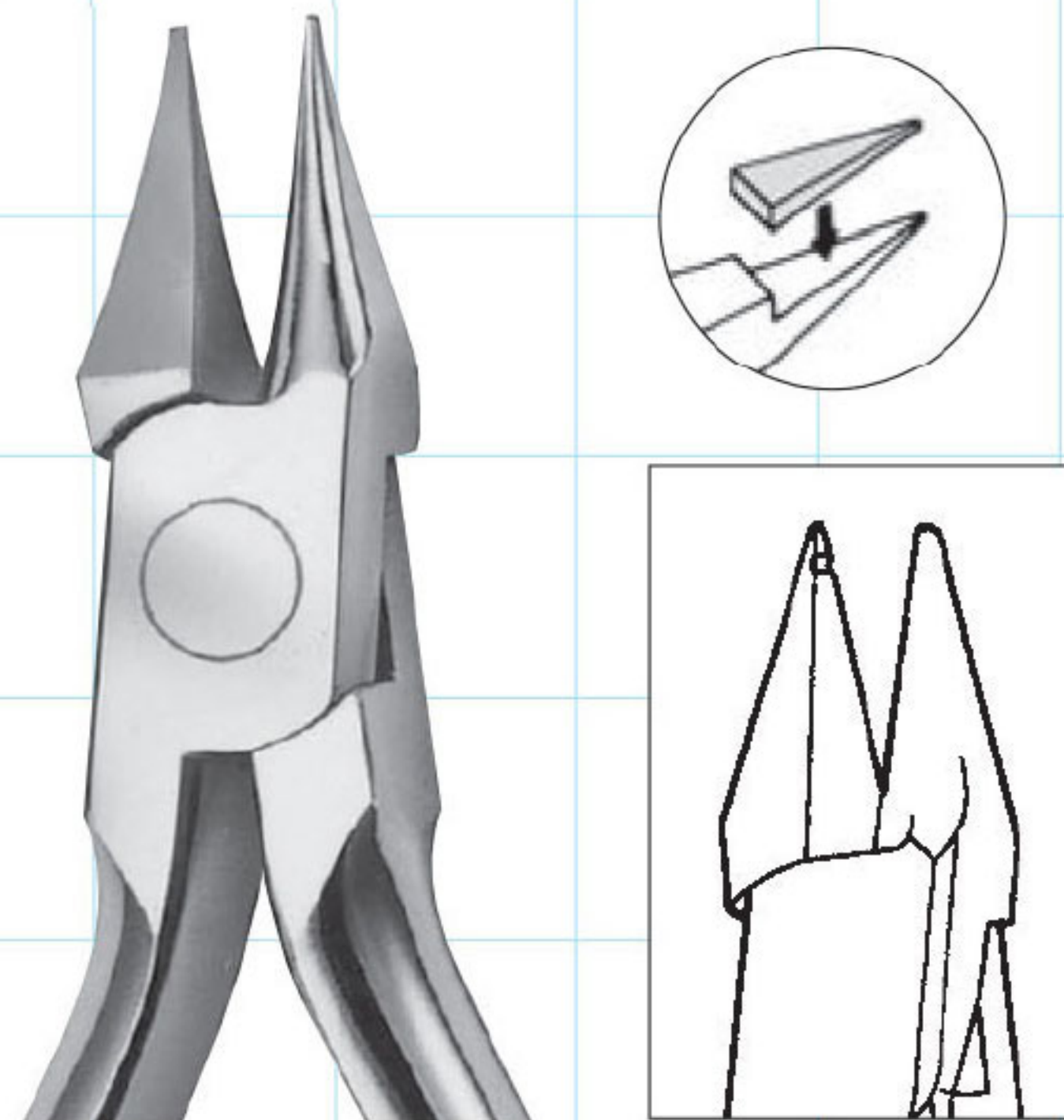
Bird Beak Pliers
Maximum Bending Capacity
Wires up to .030
Length: 117mm

● LIGHT WIRE PLIERS



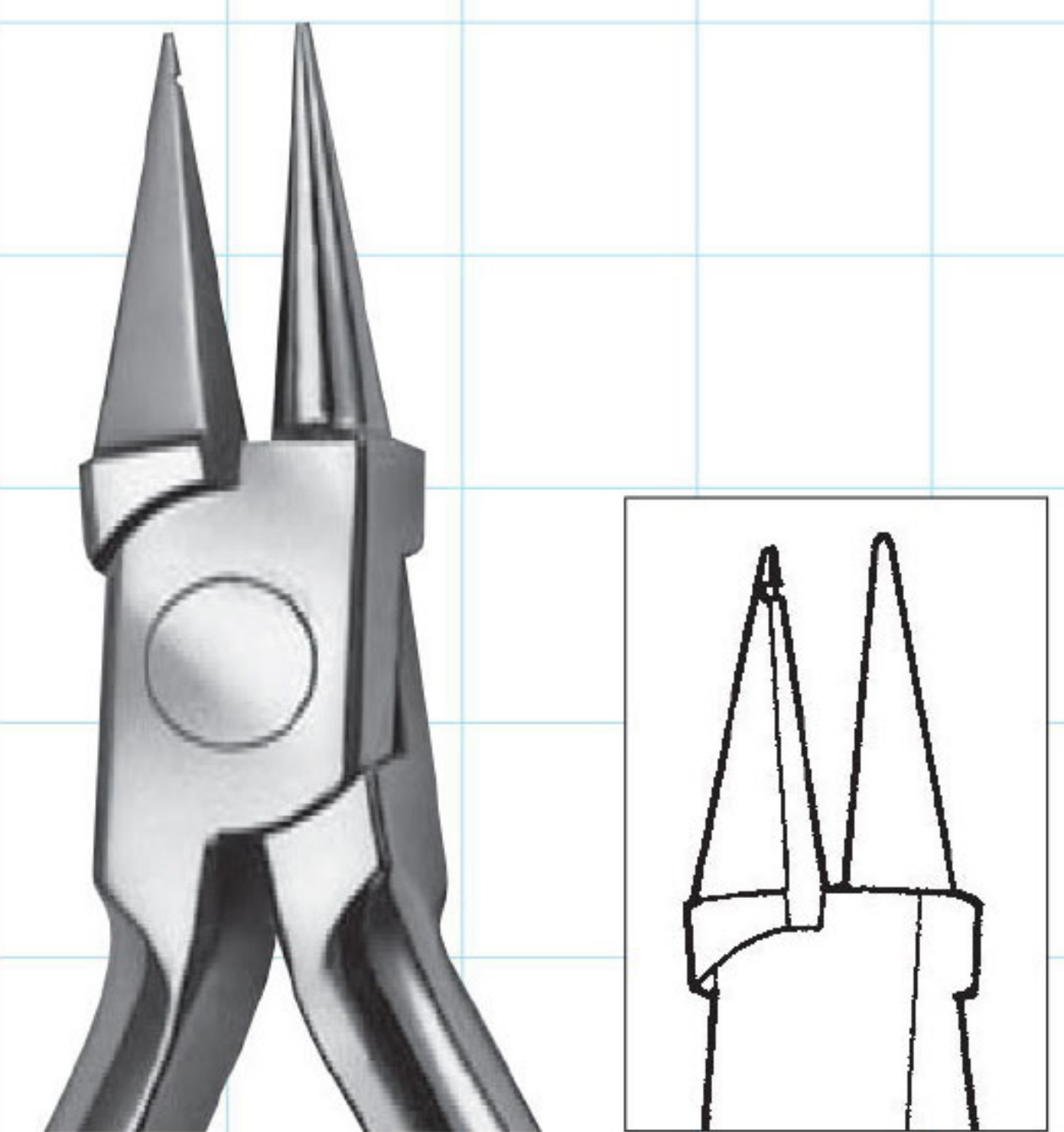
3153C

Light Wire Pliers with Cutter – Grooved Square Tip
Maximum Bending Capacity
Wires up to .020
Length: 120mm



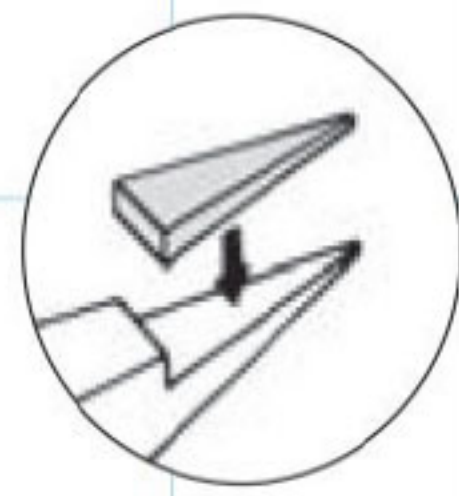
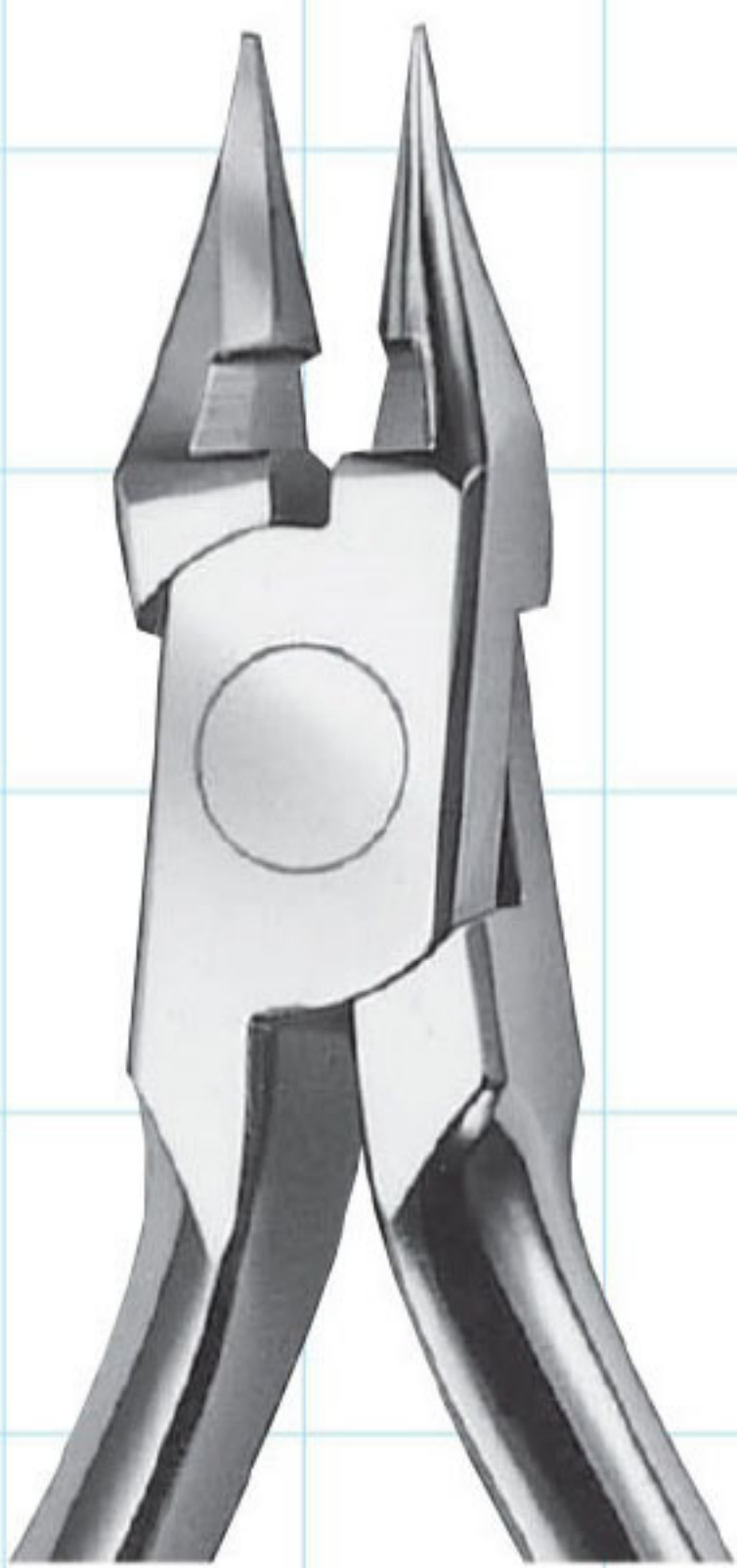
3153T

Light Wire Pliers – Grooved Square Tip
Maximum Bending Capacity
Wires up to .020
Length: 120mm



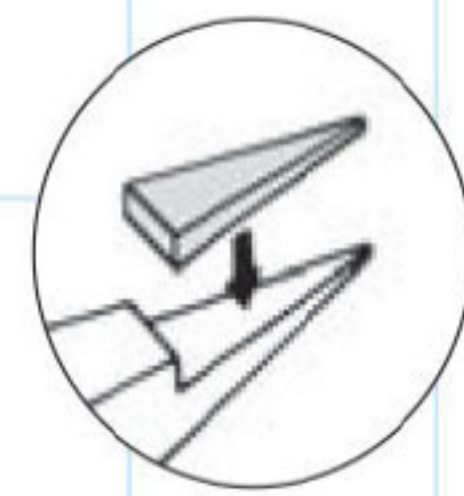
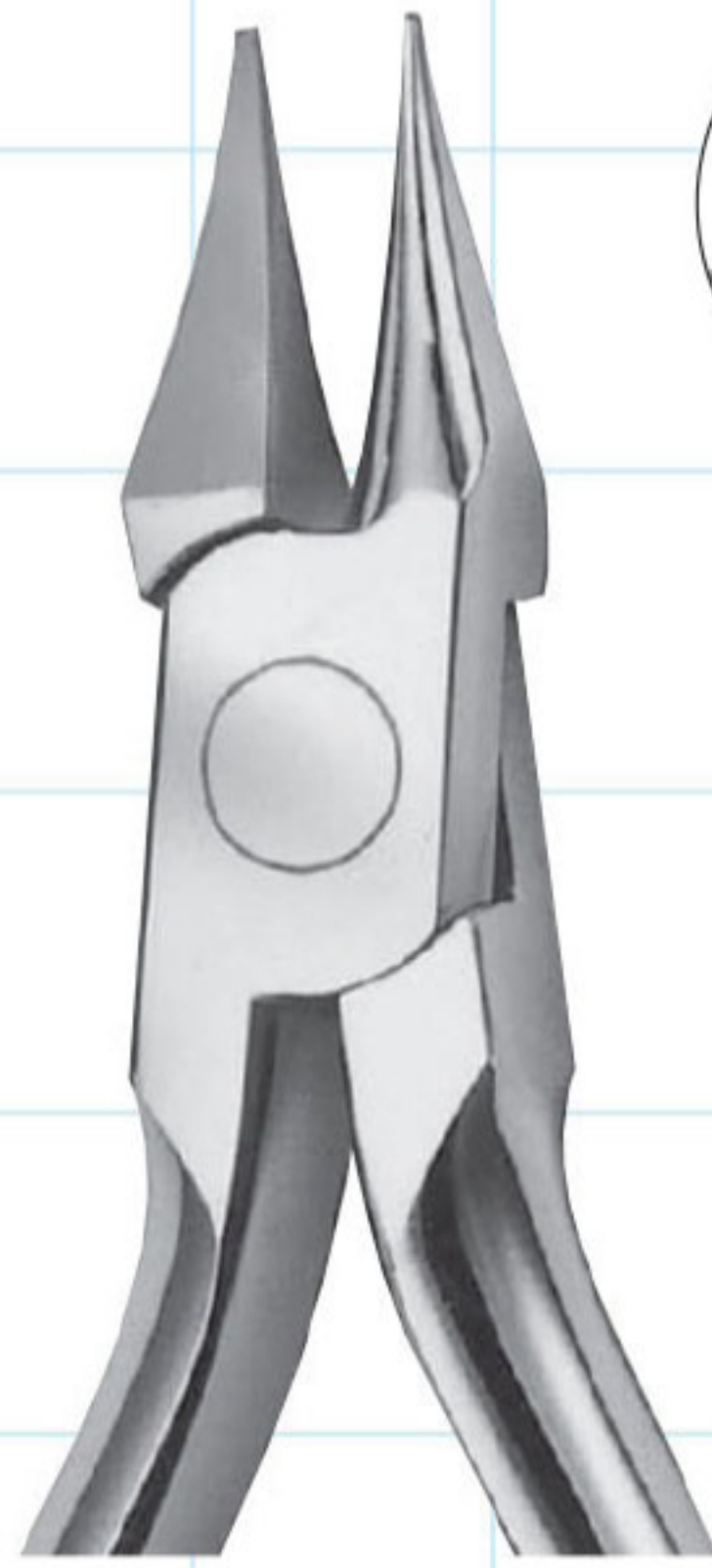
3156

Light Wire Pliers – Grooved Square Tip
Maximum Bending Capacity
Wires up to .018
Length: 124mm



3163C

Light Wire Pliers with Cutter
Maximum Bending Capacity
Wires up to .020"
Length: 120mm



3163T

Light Wire Pliers
Maximum Bending Capacity
Wires up to .020"
Length: 120mm



3163

Light Wire Pliers
Maximum Bending Capacity
Wires up to .018"
Length: 124mm

● FACE BOW ADJUSTING PLIERS



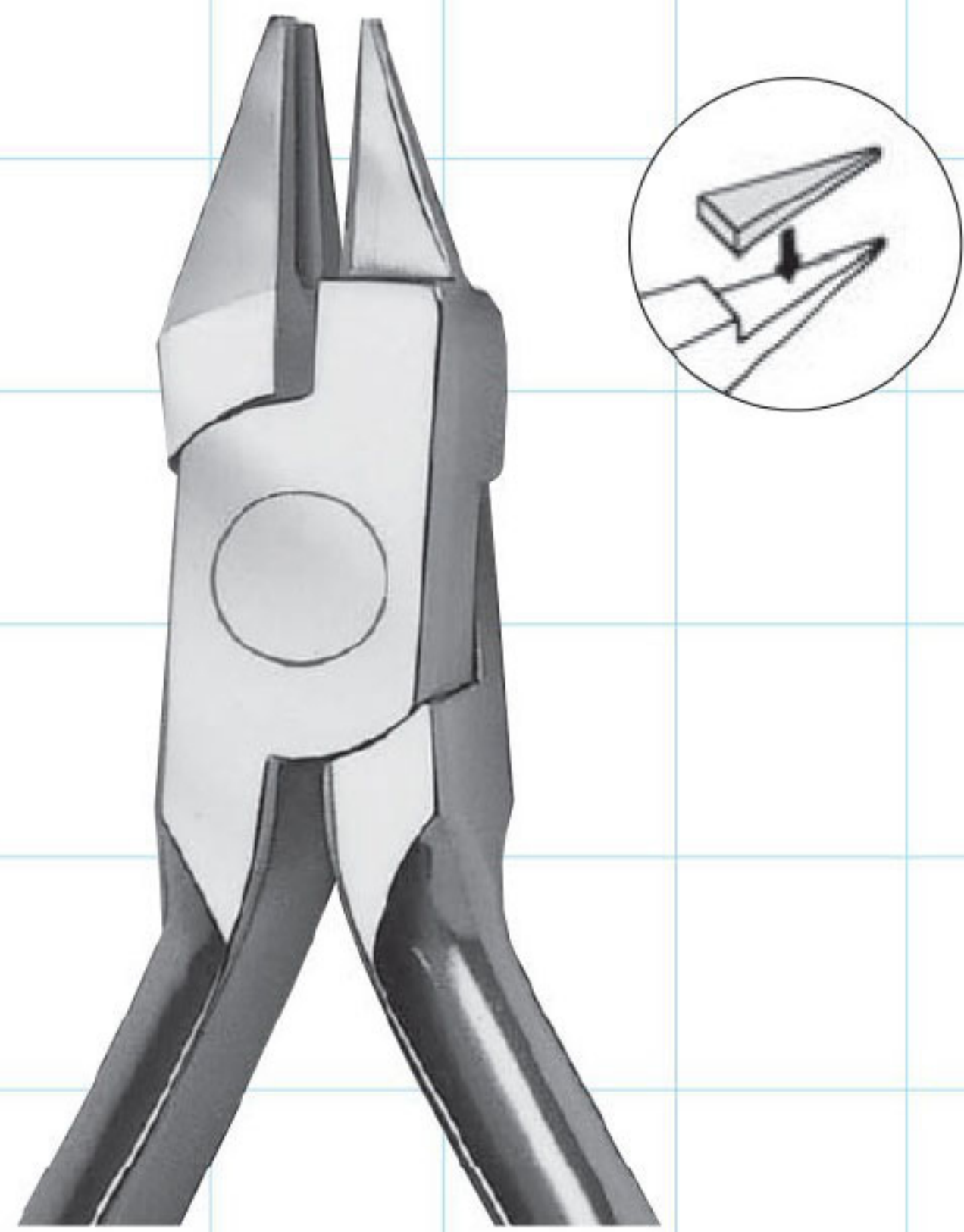
0096

Head Gear Pliers
Maximum Bending Capacity
Wires up to .051" (1.3mm)
Length: 140mm

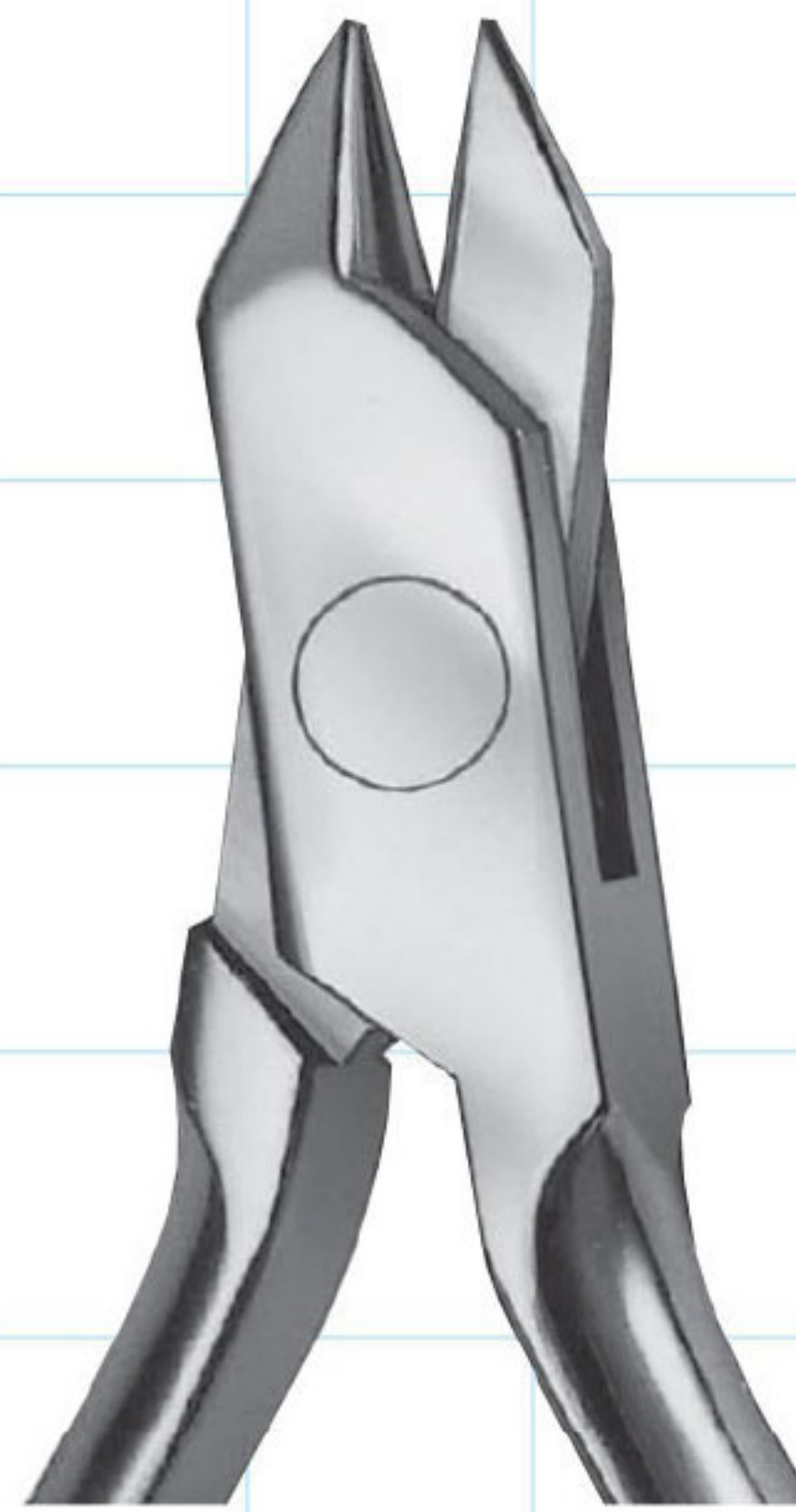
orthodontic instruments

BENDING PLIERS

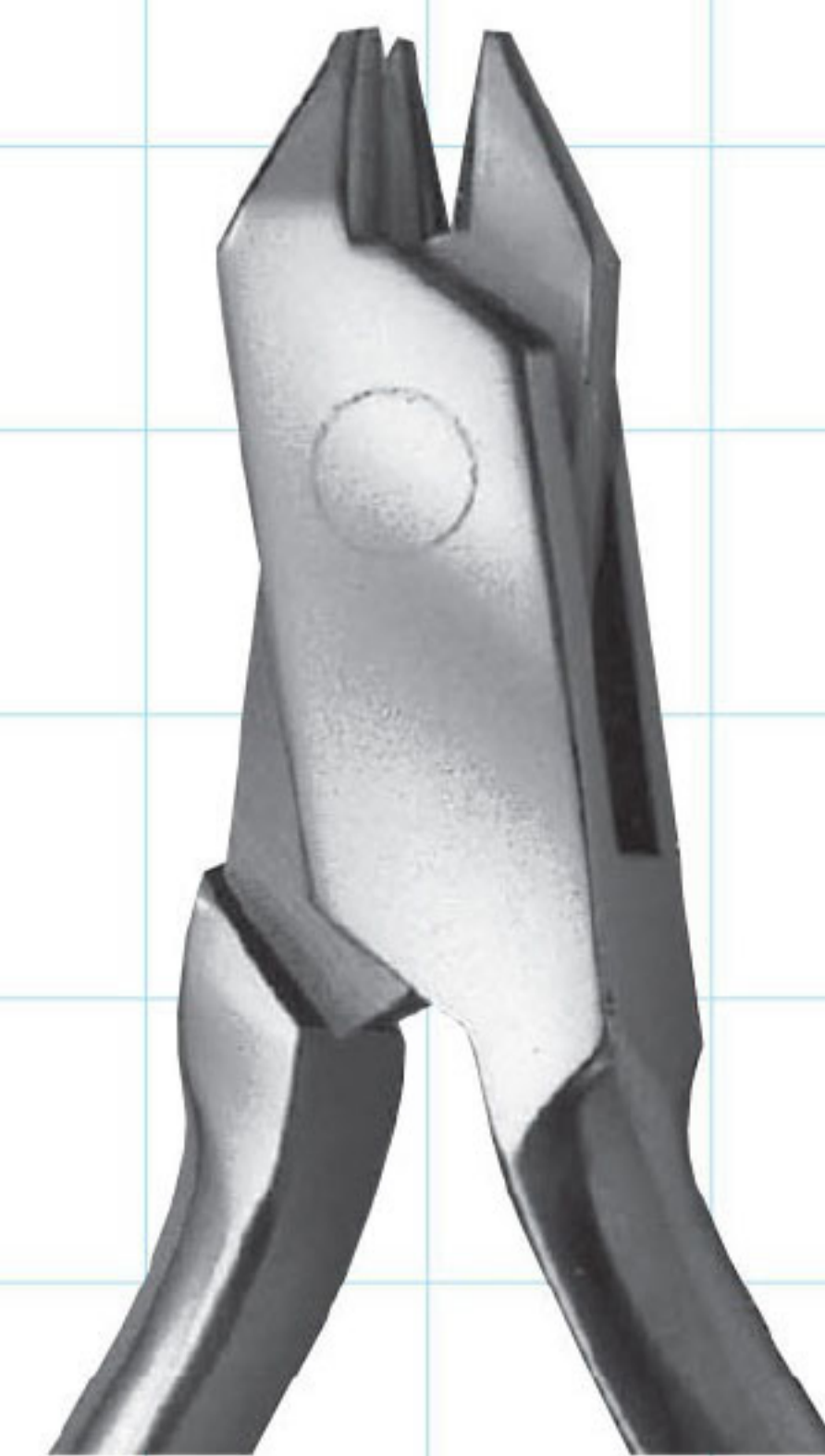
● WIRE BENDING PLIERS



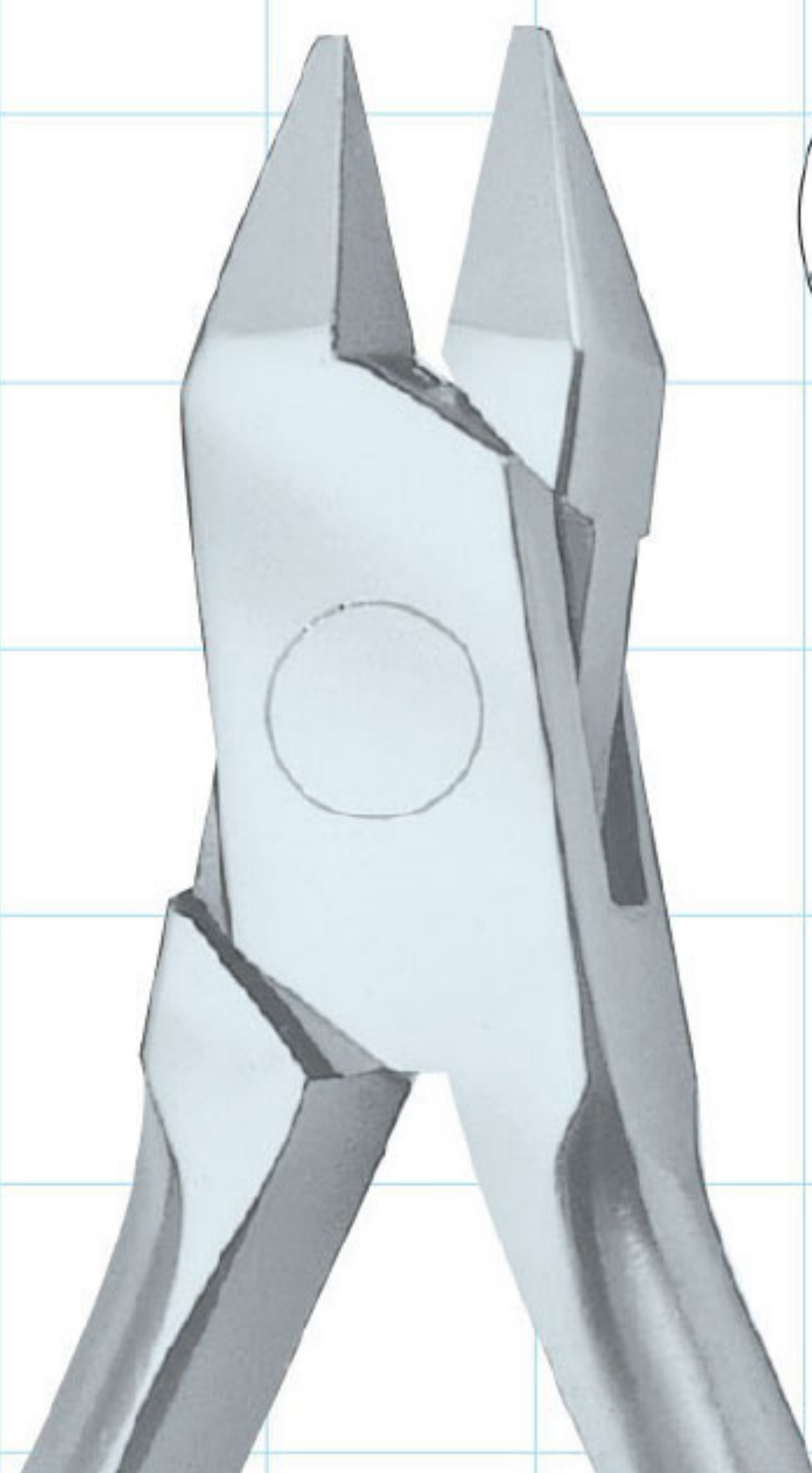
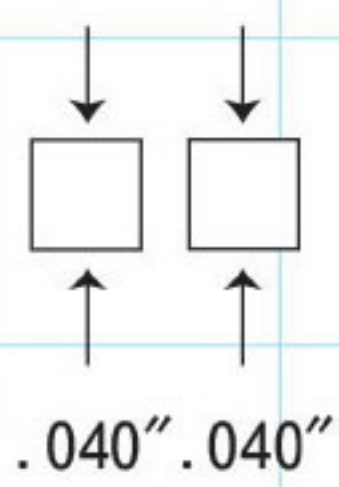
3136T
Three Jaw Pliers
Maximum Bending Capacity
Wires up to .028"
Length: 120mm



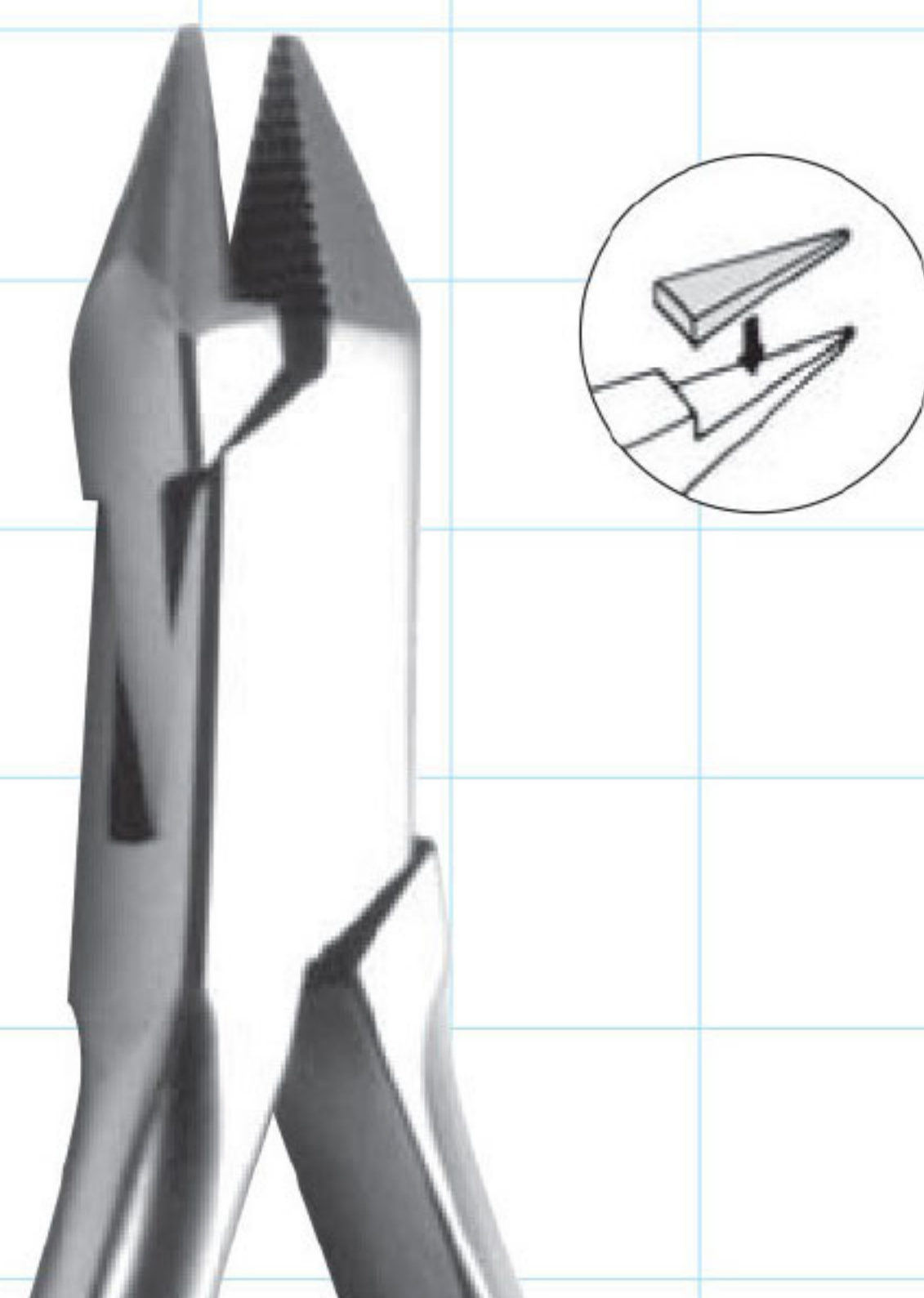
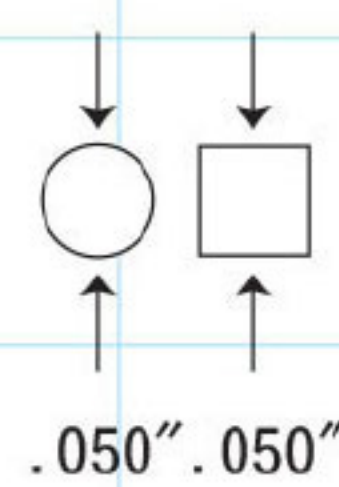
3136
Three Jaw Pliers
Maximum Bending Capacity
Wires up to .028"
Length: 125mm



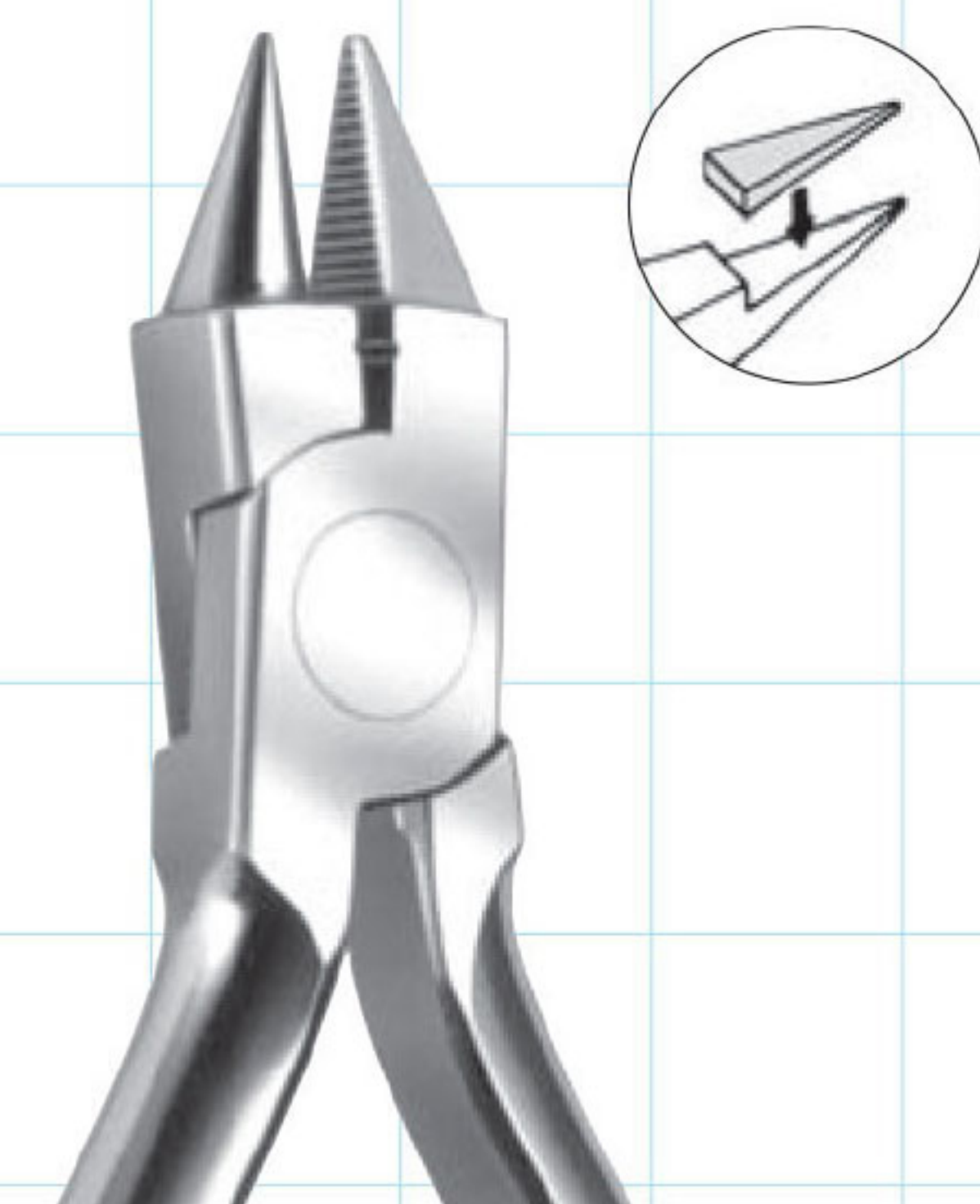
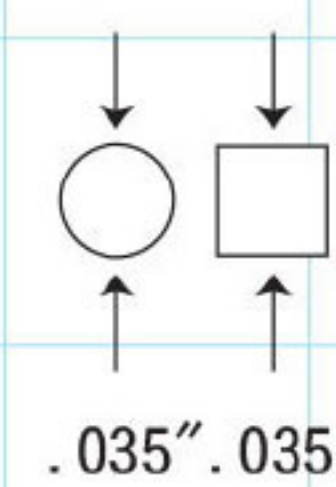
3136L
Heavy Three Jaw Pliers
Maximum Bending Capacity
Wires up to .036"
Length: 122mm



2146T
Adams Pliers (Universal)
Maximum Bending Capacity
Wires up to .040"
Length: 132mm

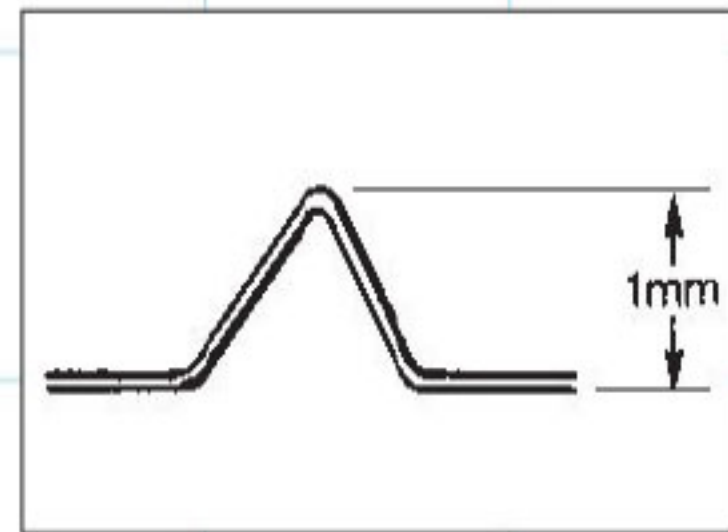
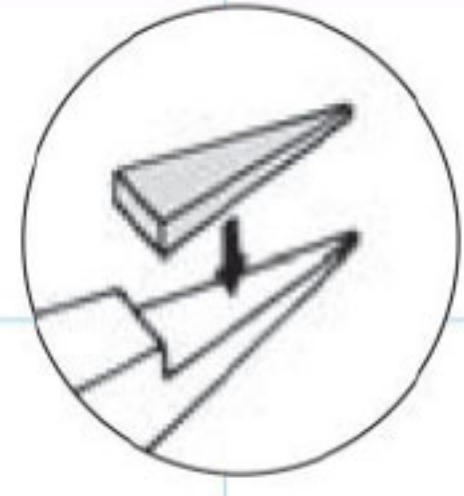


3146TL
Heavy Wire Bending Pliers
Maximum Bending Capacity
Wires up to .047" (1.2mm)
Length: 140mm



3146TS
Wire Bending Pliers
Maximum Bending Capacity
Wires up to .028" (0.7mm)
Length: 120mm

CINCH BACK PLIERS



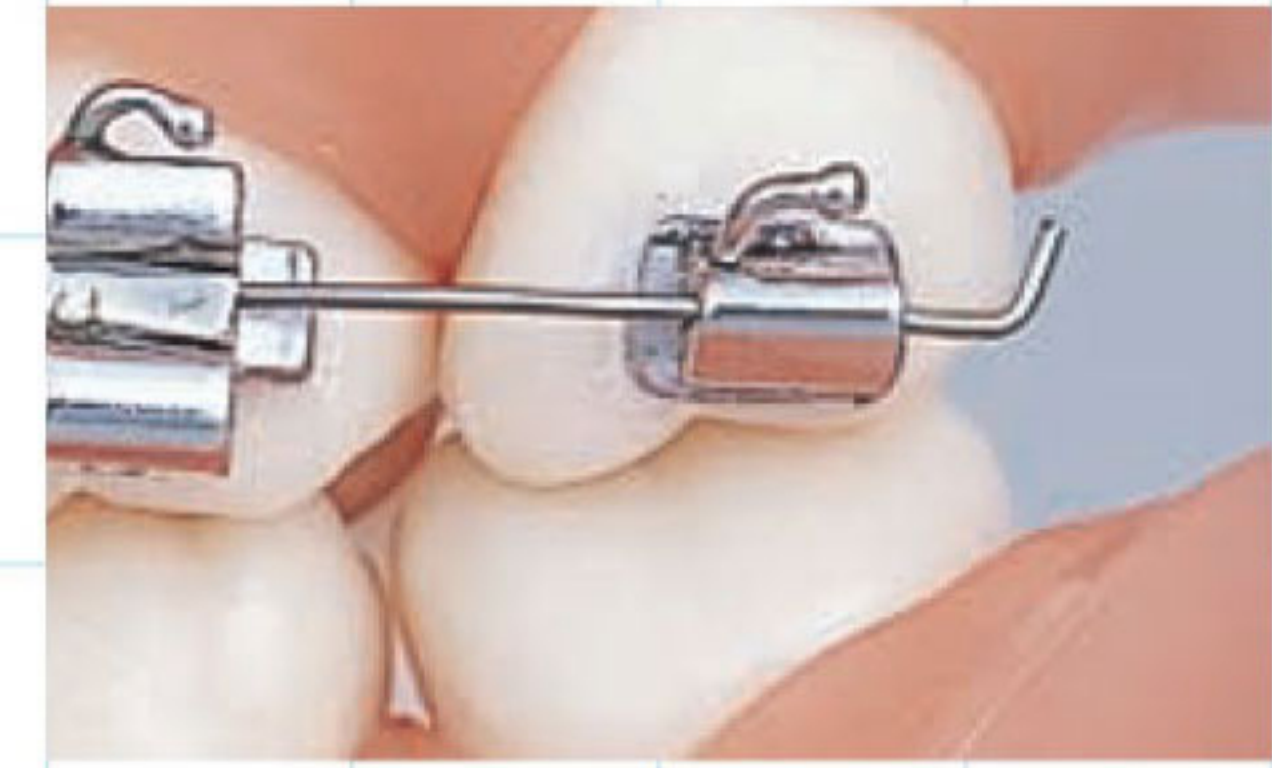
2246T

Stop Pliers
Maximum Bending Capacity
Wires up to .025"
Length: 121mm

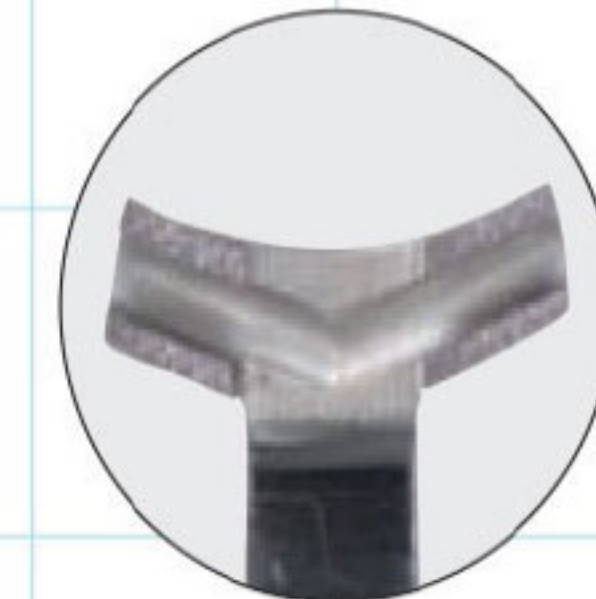


9006

Tie Back Pliers
Maximum Bending Capacity
Ni-Ti Wires up to .025"
Length: 135mm

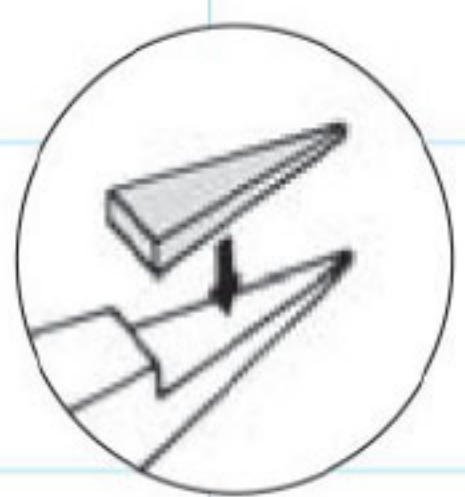


By simply selecting either left or right side of the head along with gripping method, you can bend wire in "cinch-back" for both directions, buccal and lingual, at both jaw sides, left and right, on both jaw positions, upper and lower.



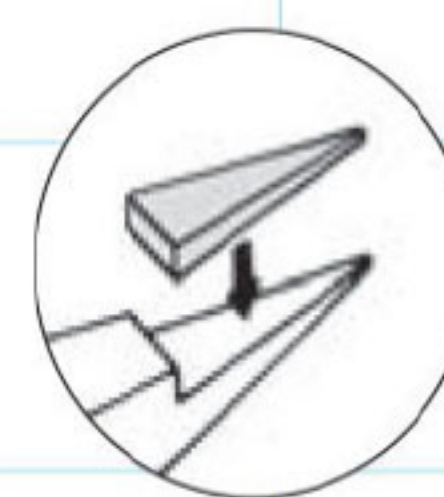
In order to achieve secure-grip, anti-slip finish is applied on both sides of head where wire is bent.

QUAD HELIX BENDING PLIERS



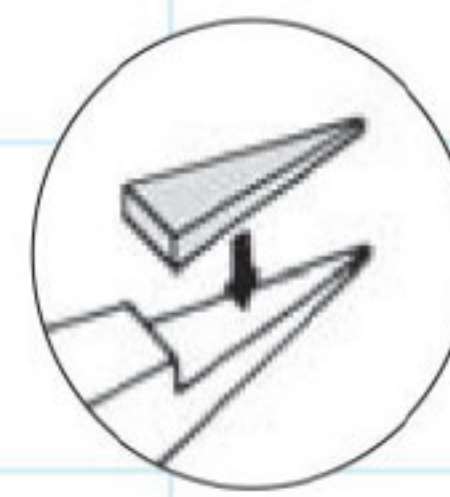
2026T

Quad Helix Bending Pliers
Maximum Bending Capacity
Wires up to .036" (0.9mm)
Length: 125mm



2016L

Angled Three Jaw Pliers – Left
Maximum Bending Capacity
Wires up to .036" (0.9mm)
Length: 130mm



2016R

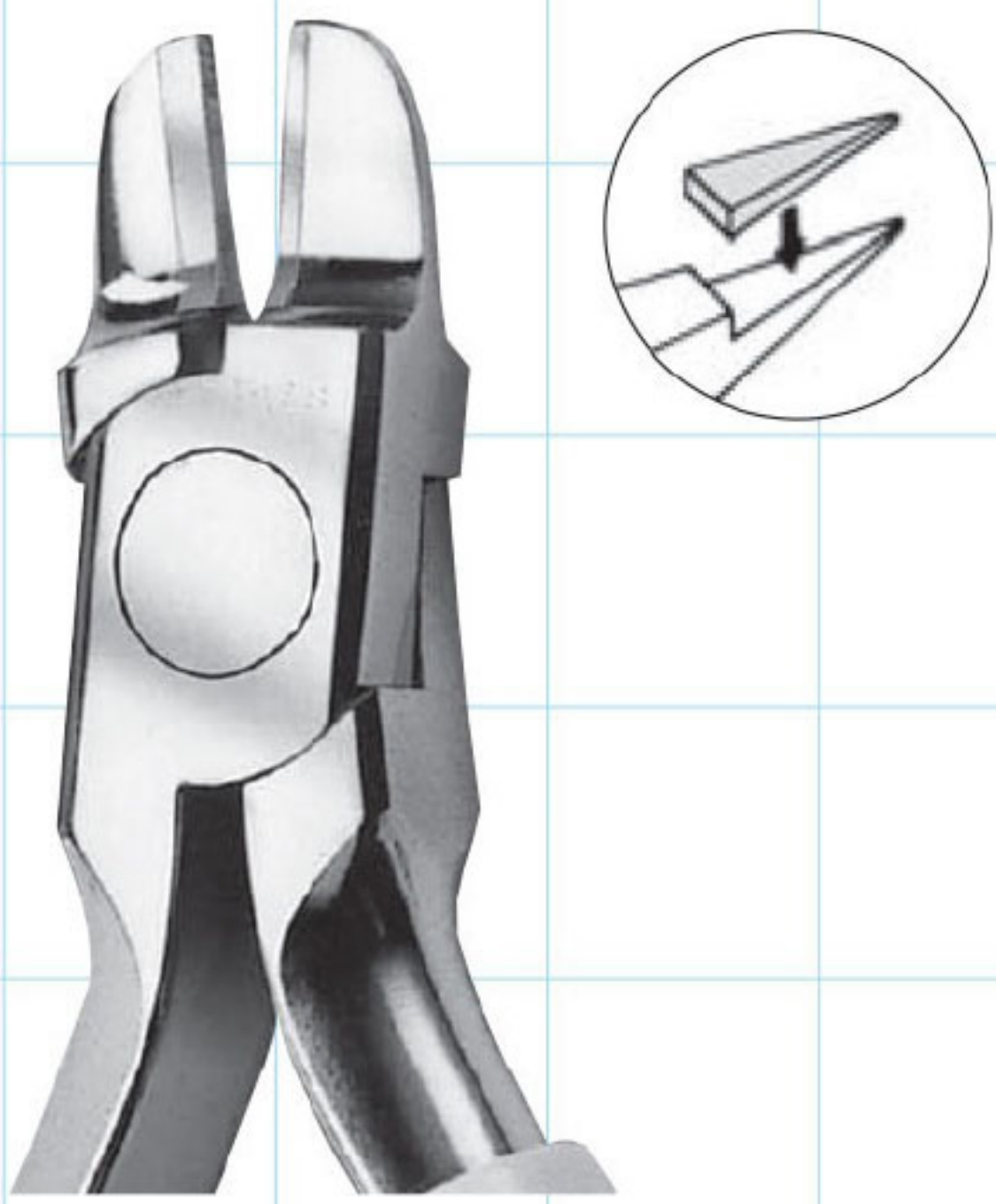
Angled Three Jaw Pliers – Right
Maximum Bending Capacity
Wires up to .036" (0.9mm)
Length: 130mm

Used for small adjustment of quad helix or lingual arch. Narrow beaks allow easy access to lower jaw.

orthodontic instruments

ARCH FORMING INSTRUMENTS

● ARCH FORMING PLIERS



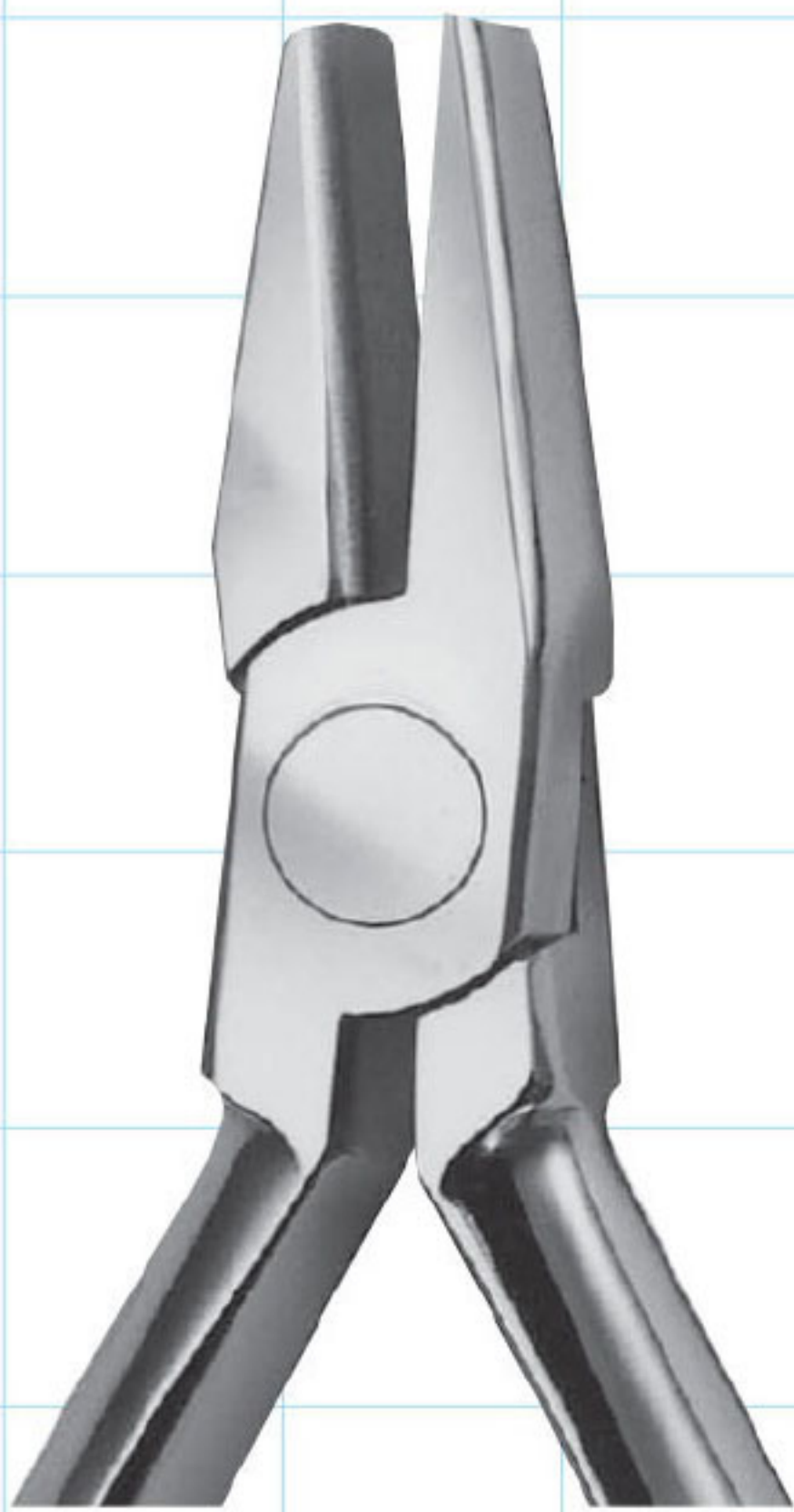
3036T

Tweed Arch Bending Pliers
Maximum Bending Capacity
Rectangular Wires up to .022" × .028"
Beaks are .060" wide, parallel at .020" opening
Length: 117mm



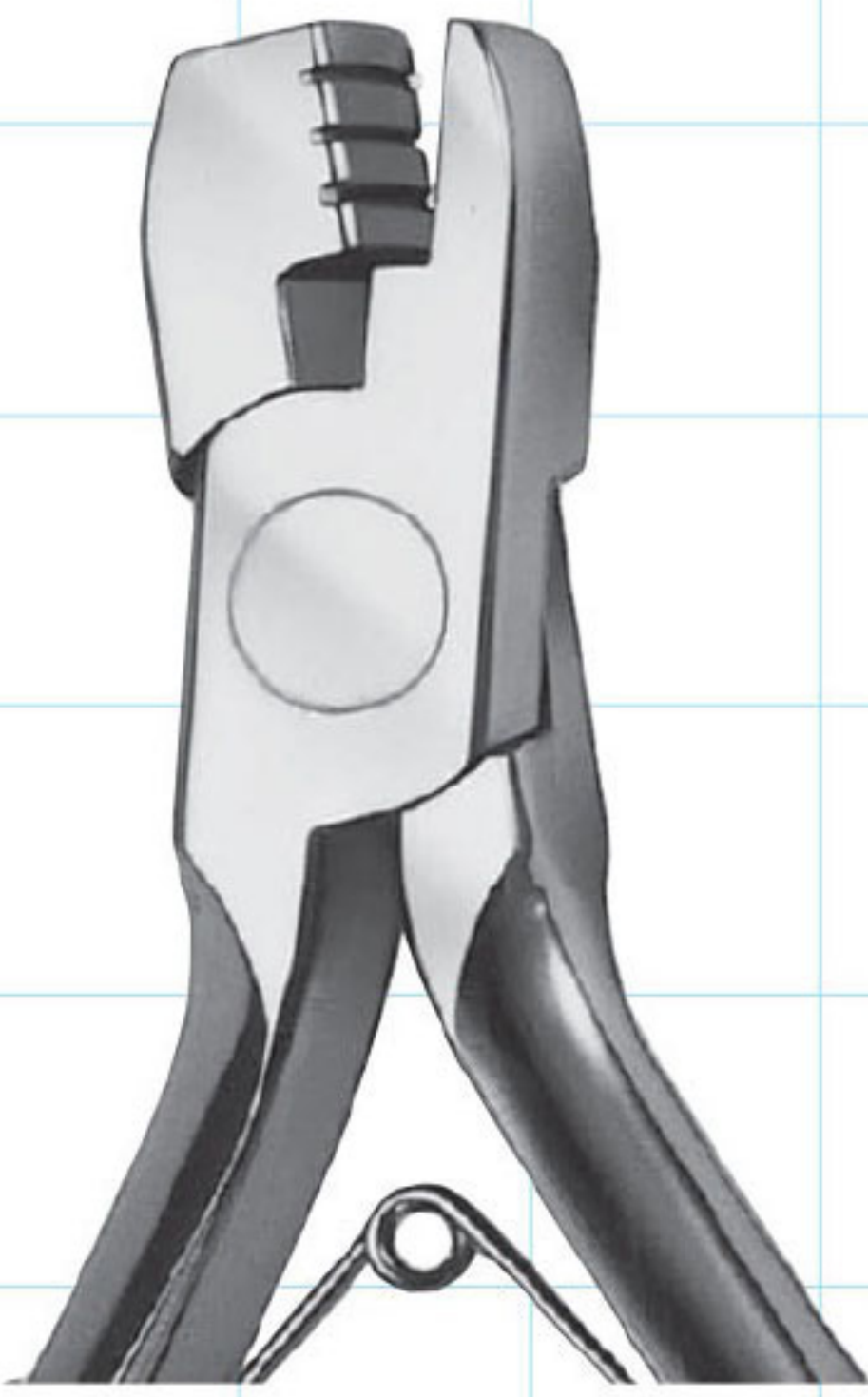
3036

Tweed Arch Bending Pliers
Maximum Bending Capacity
Rectangular Wires up to .022" × .028"
Beaks are .043" wide, parallel at .020" opening
Length: 116mm



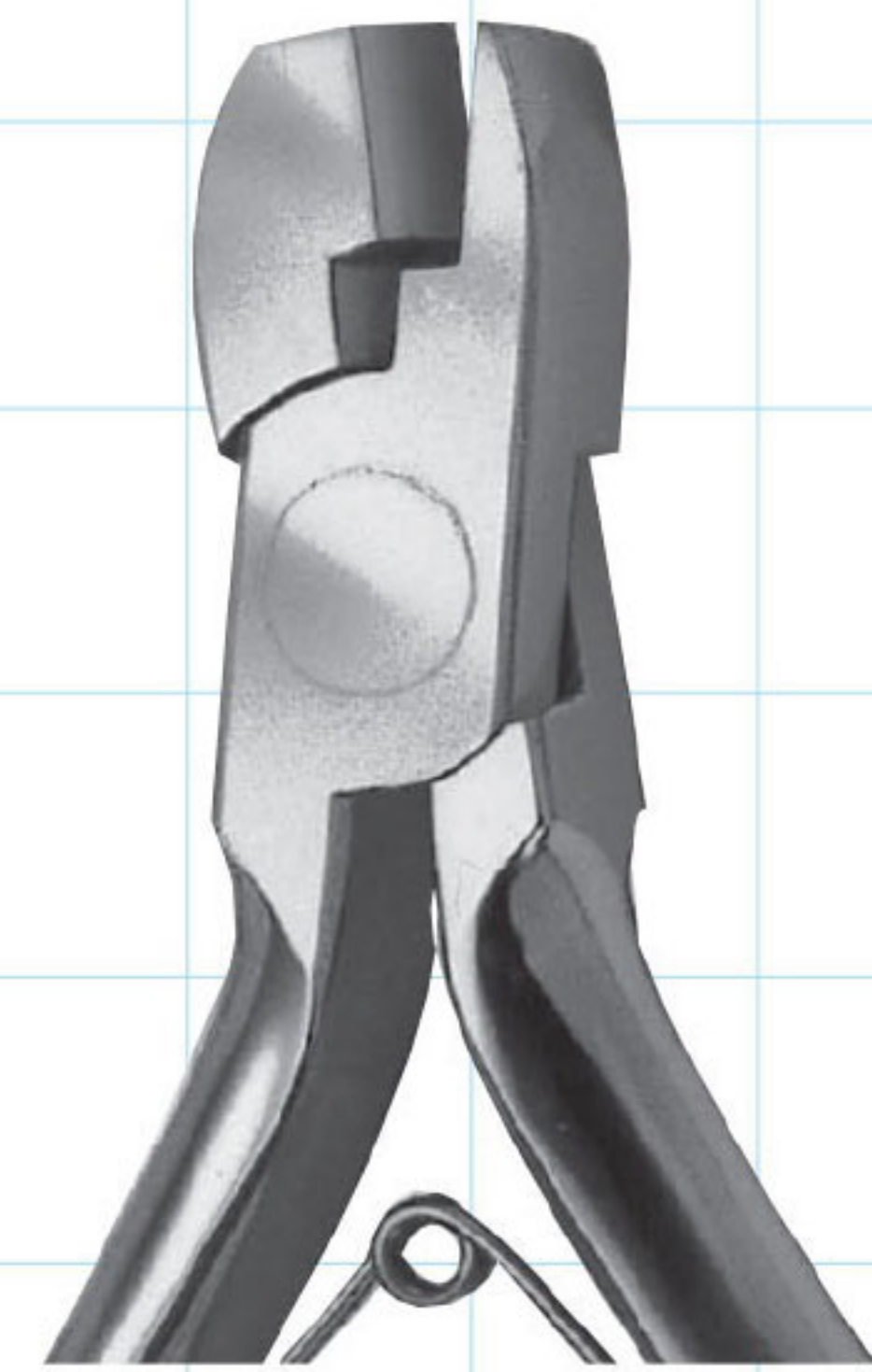
0066

Hollow Chop Pliers
Maximum Bending Capacity
Wires up to .022"
Length: 125mm



2236TG

Arch Forming Pliers - Grooved
Grooves are of .016", .018" and .022"
Length: 116mm



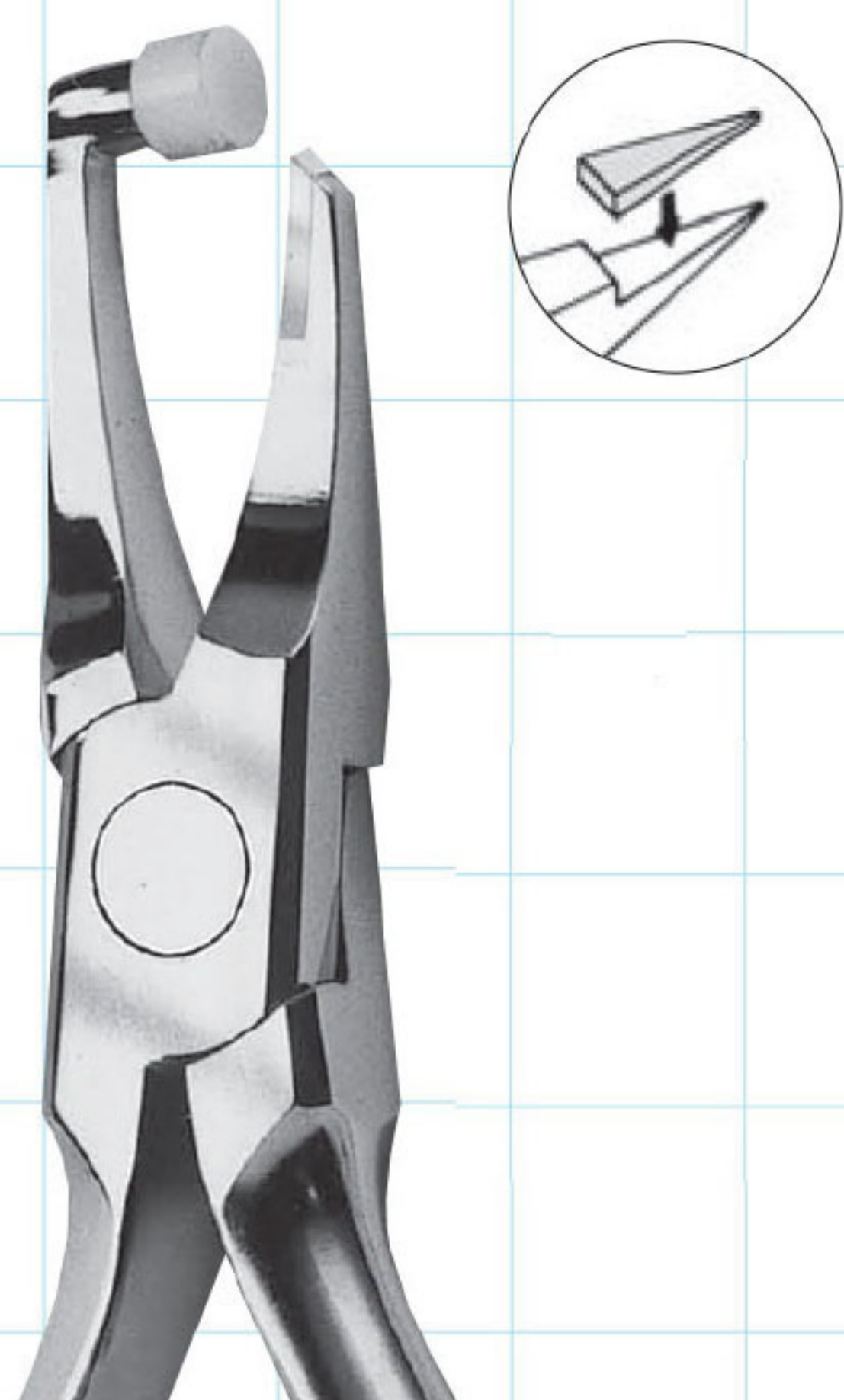
2236T

Arch Forming Pliers – Non-grooved
Length: 116mm

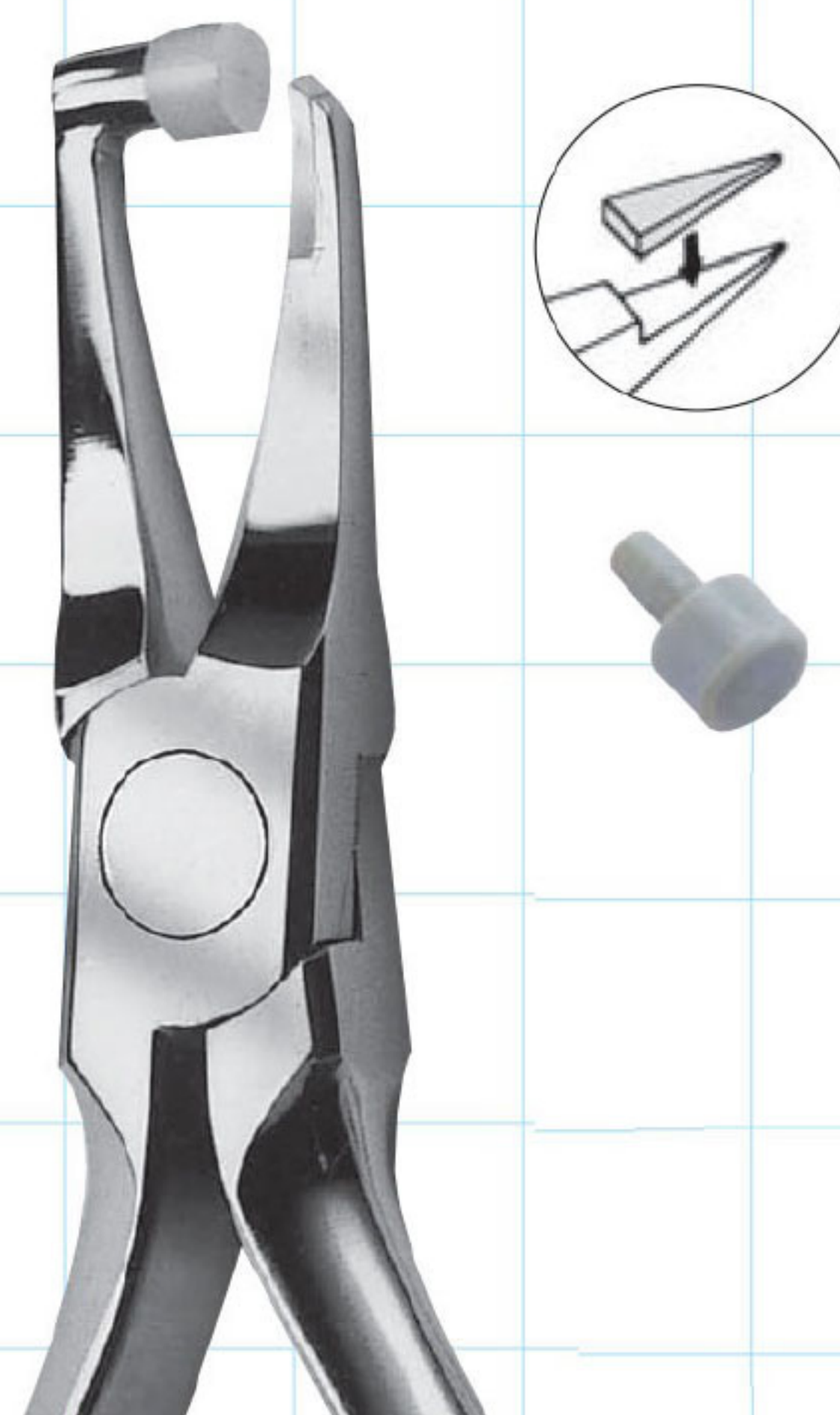
orthodontic instruments

BANDING PLIERS

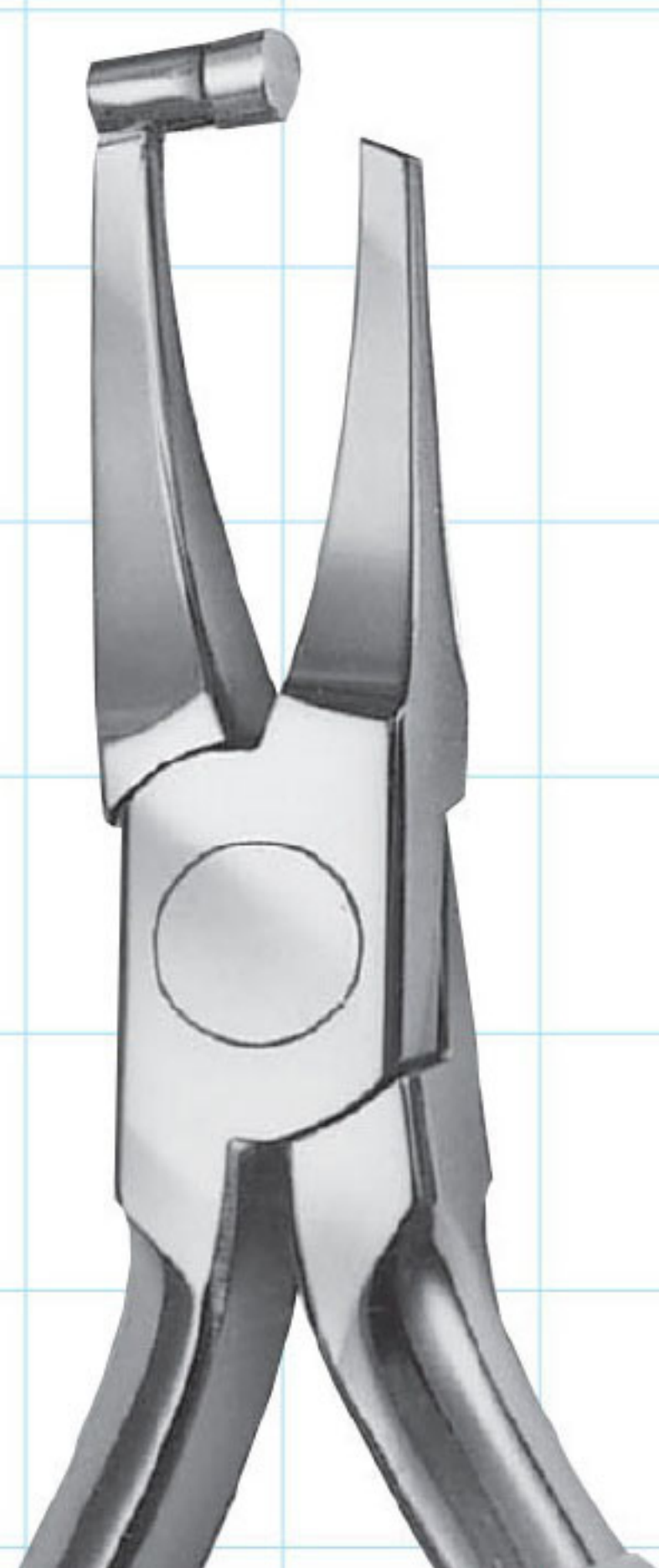
● BAND REMOVING PLIERS



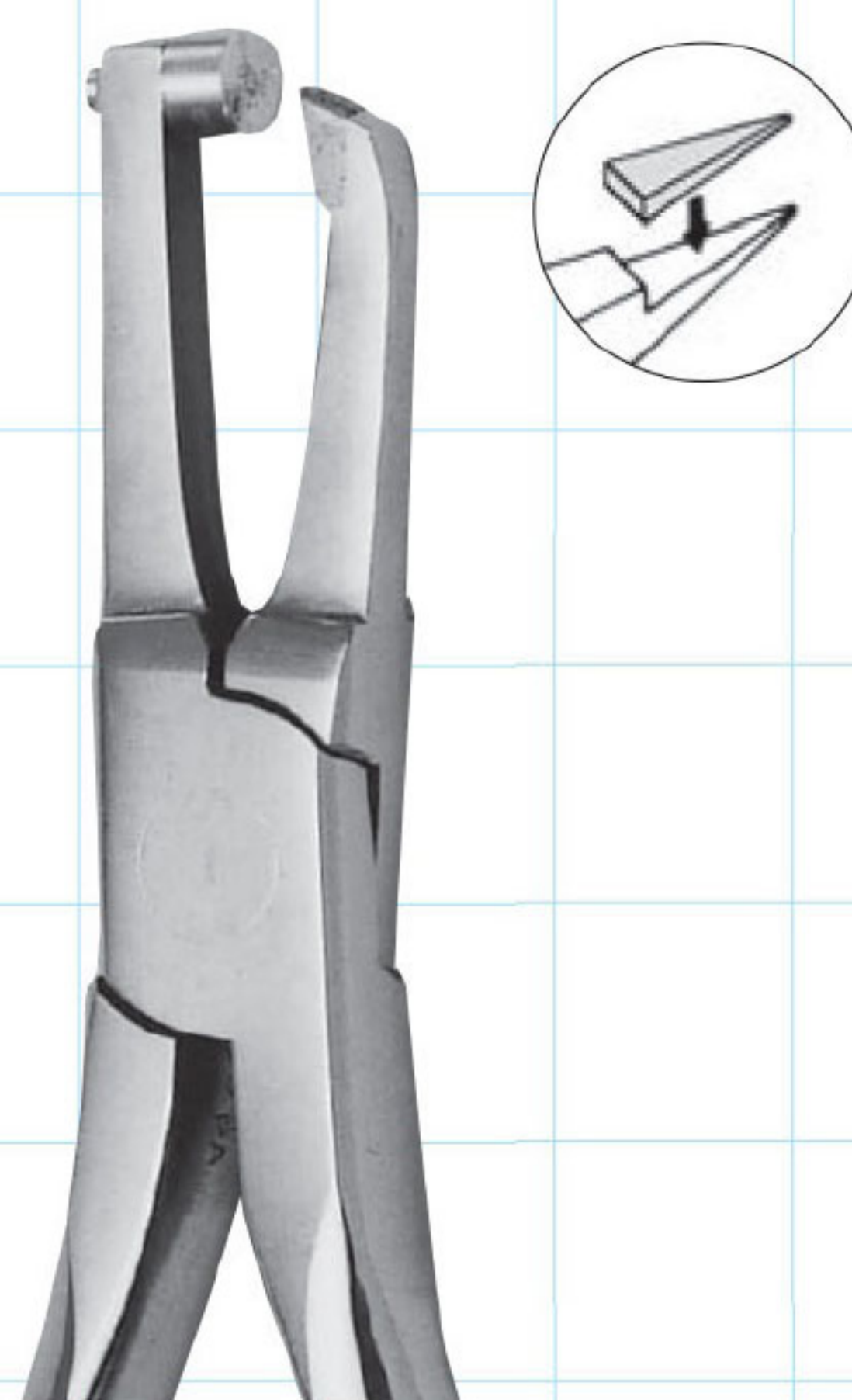
1046T
Posterior Band Removing Pliers
Length: 131mm



1046TL
Posterior Band Removing Pliers - Long
Length: 131mm



1046
Posterior Band Removing Pliers
Length: 131mm

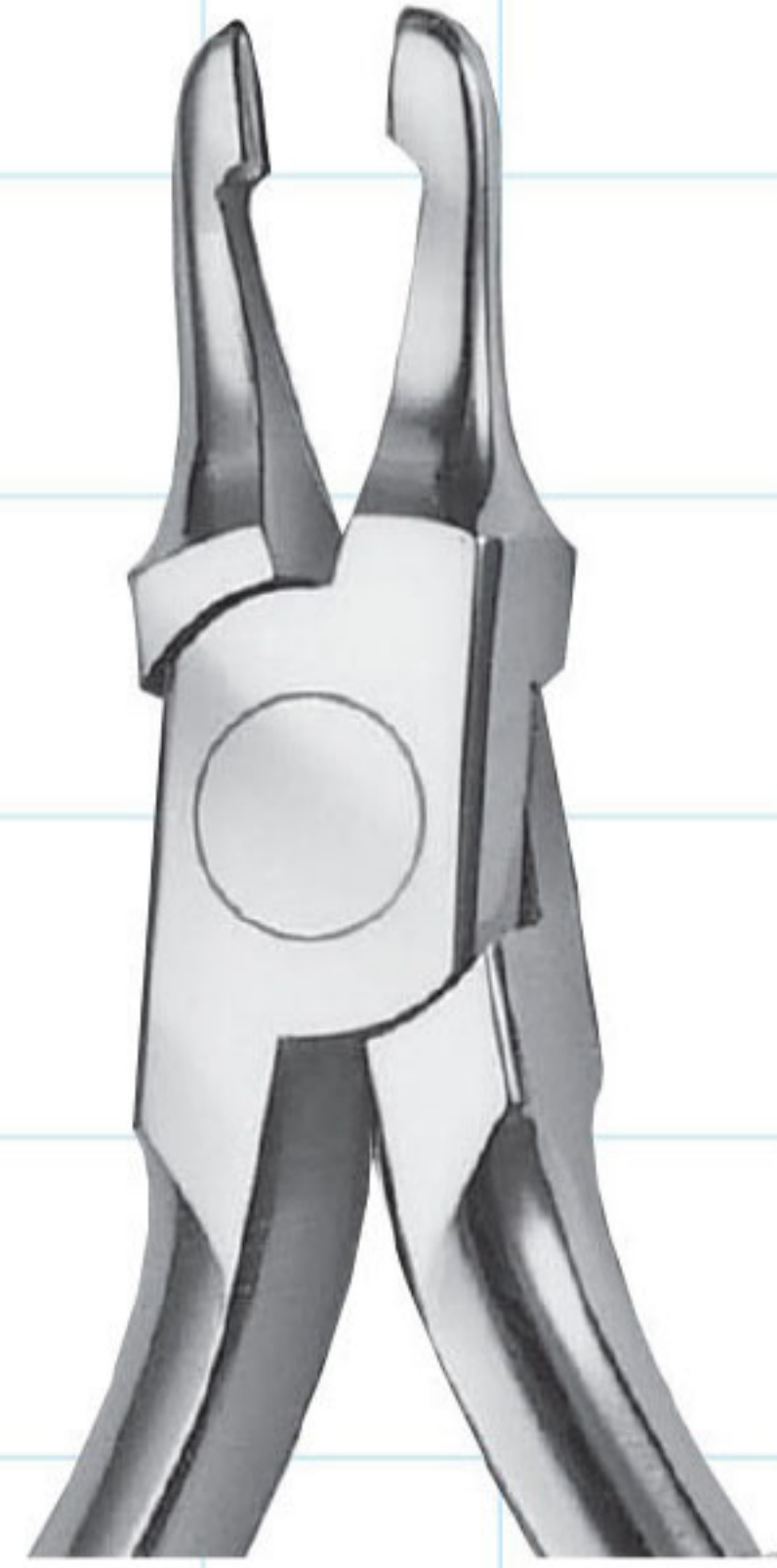


HS-30
Posterior Band Removing Pliers
Length: 131mm

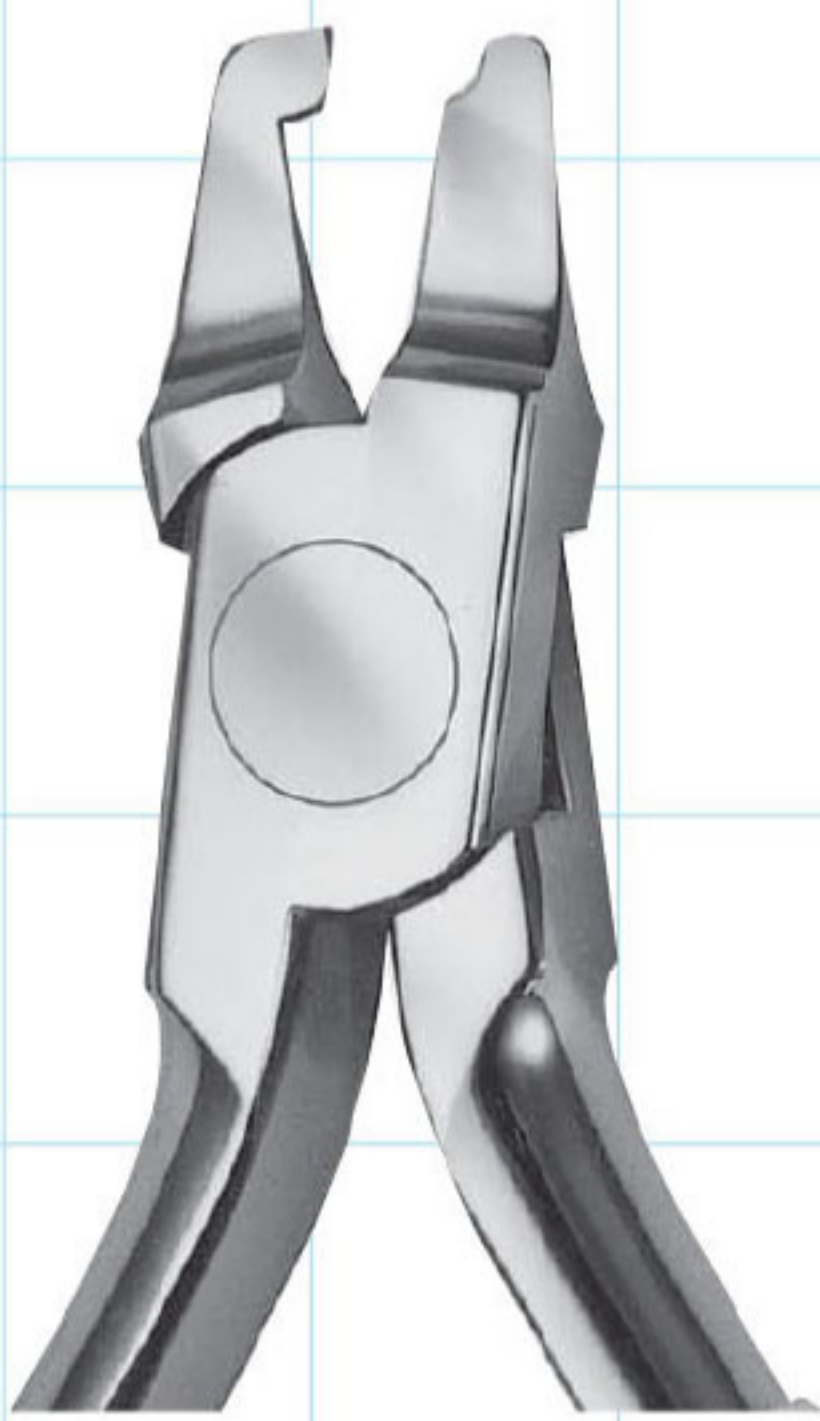
● BAND CONTOURING PLIERS



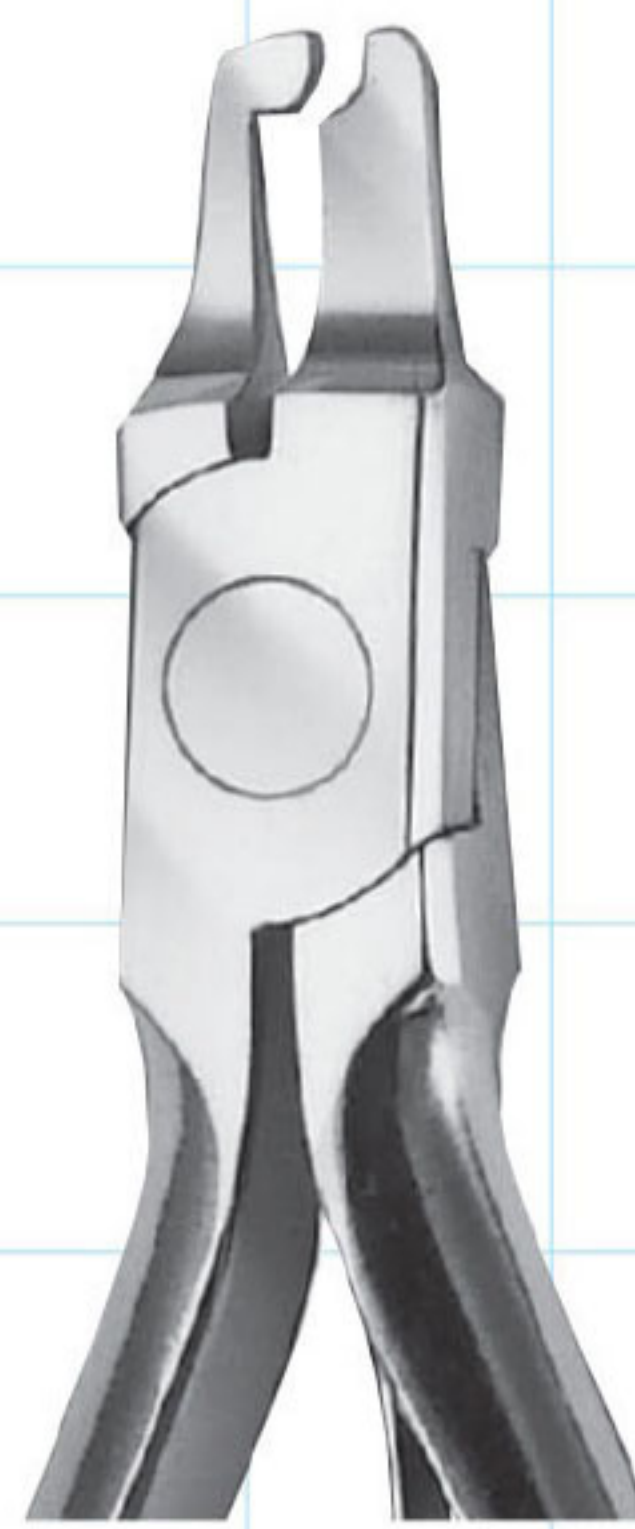
2086
Band Contouring Pliers
Length: 124mm



2126
Crown Contouring Pliers
Length: 123mm



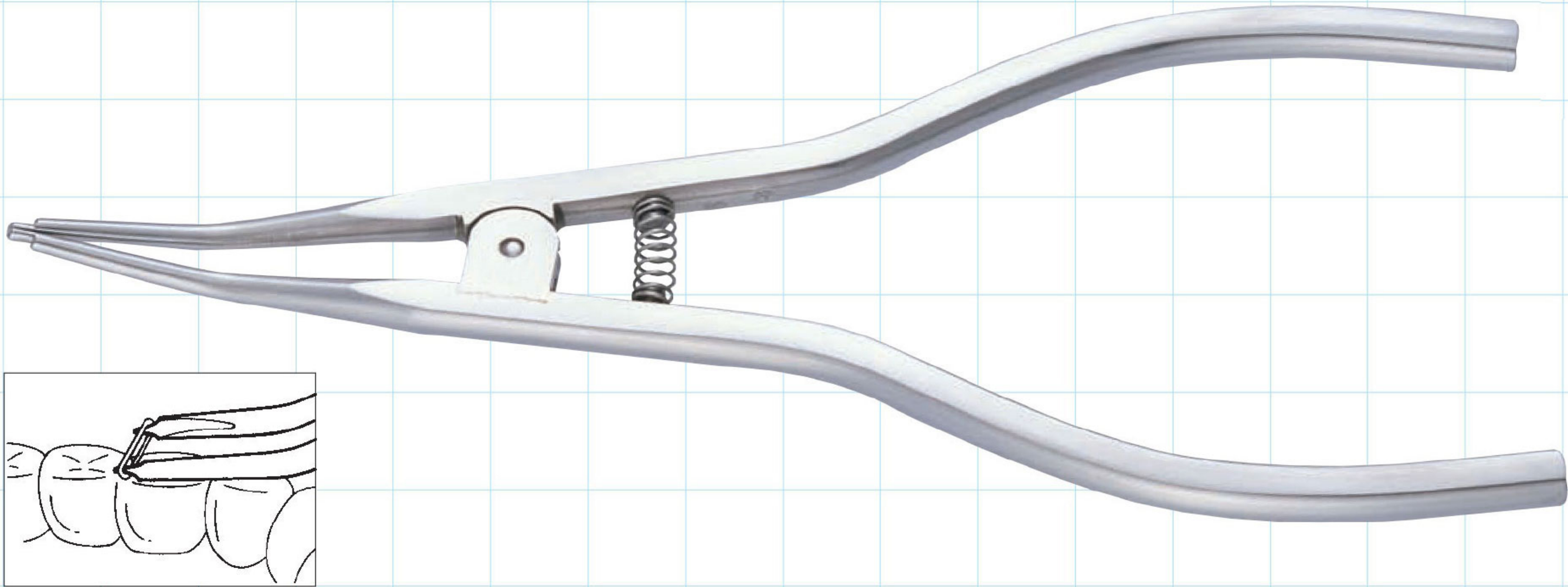
3176
Crown Crimping Pliers
Length: 117mm



3176S
Crown Crimping Pliers – Small
Length: 119mm

BANDING INSTRUMENTS

● ELASTIC SEPARATING PLIERS



7016
Elastic Separating Pliers
Length: 163mm

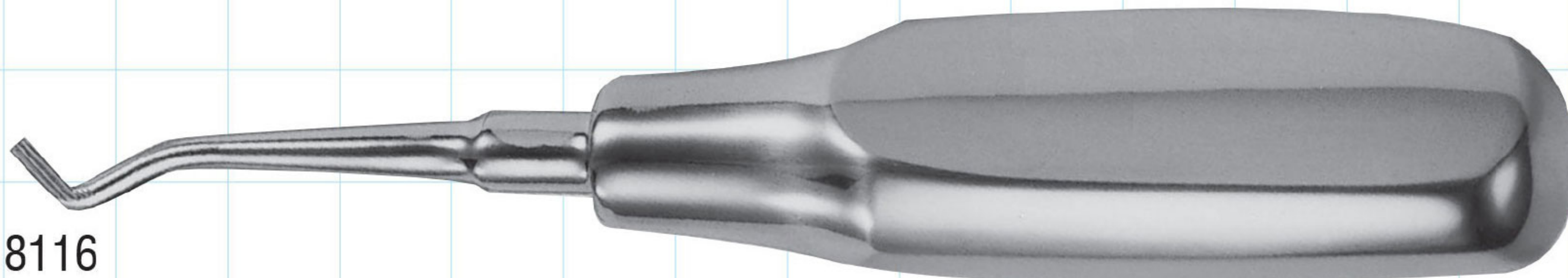
● BAND PUSHERS



8106
Band Pusher
Length: 133mm



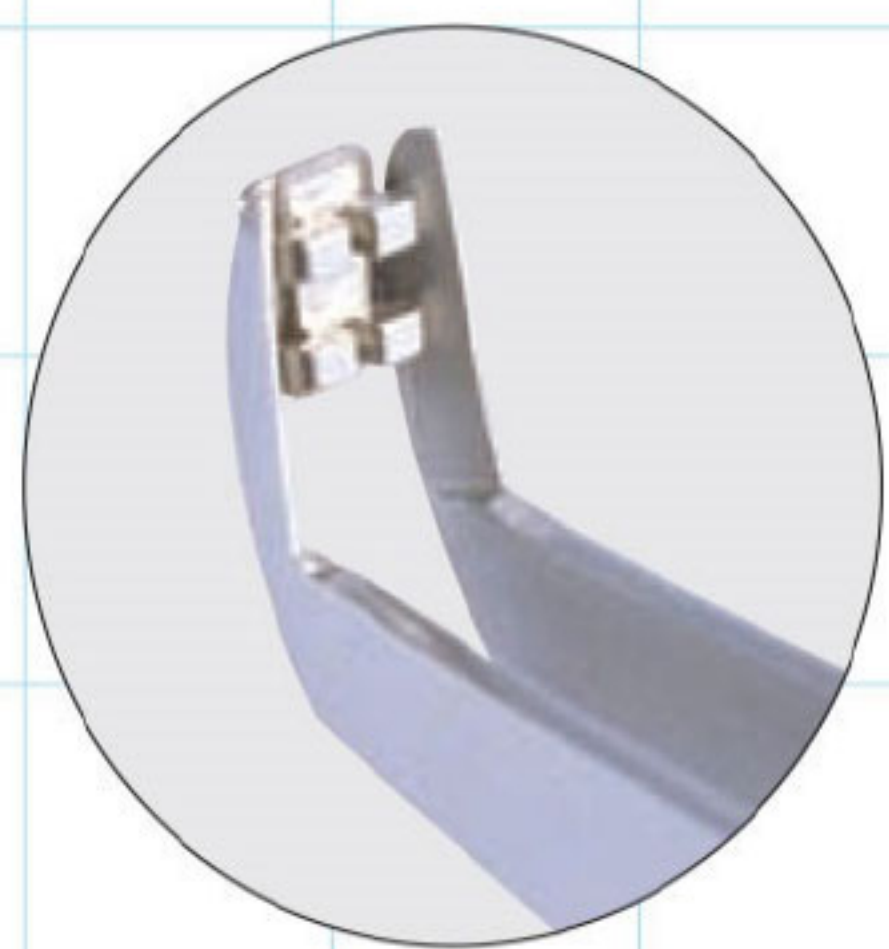
8106A
Band Pusher – Silicone Handle
Length: 133mm



8116
Band Pusher – Trihedral Handle
Length: 142mm

BONDING INSTRUMENTS

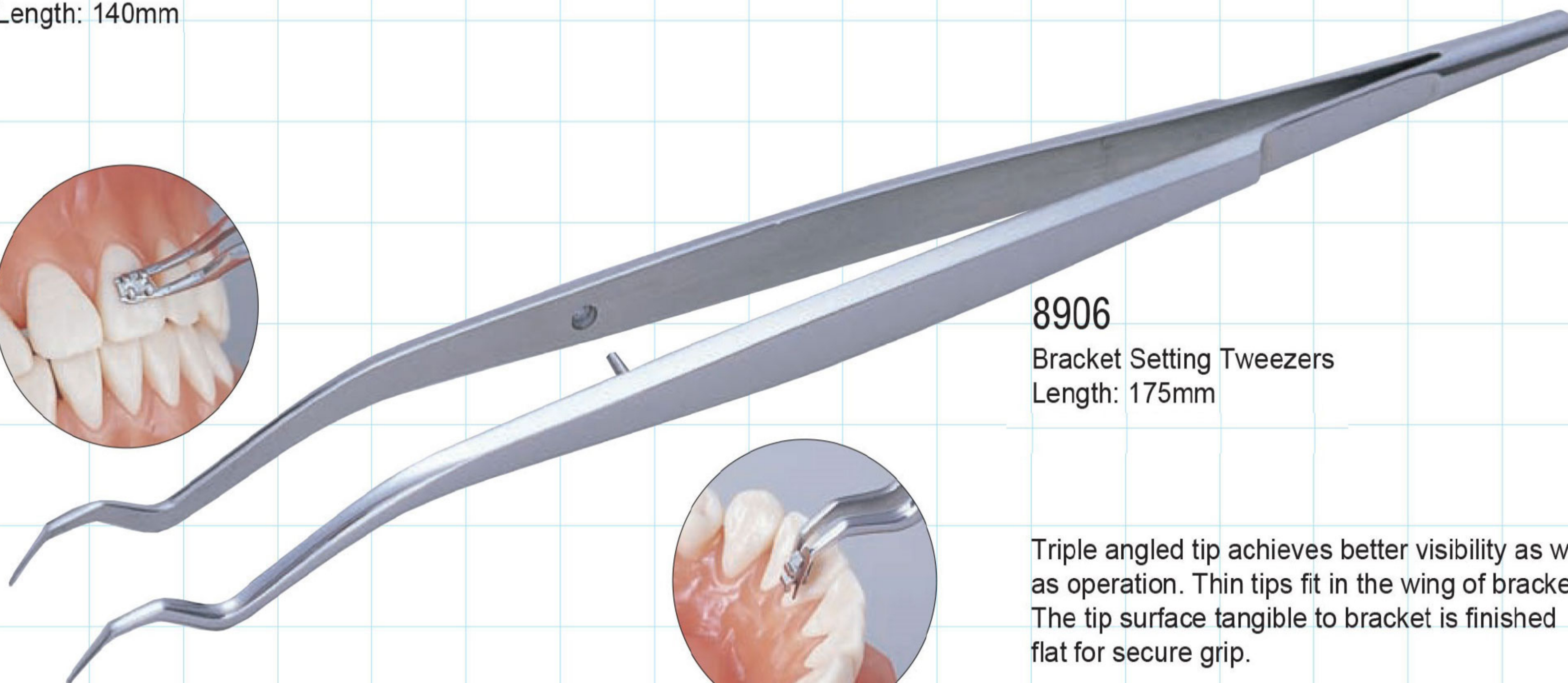
BRACKET PLACERS



8156
Bracket Placing Tweezers
Length: 140mm



8906
Bracket Setting Tweezers
Length: 175mm



Triple angled tip achieves better visibility as well as operation. Thin tips fit in the wing of bracket. The tip surface tangible to bracket is finished flat for secure grip.



2716D
Diamond Tweezers
Length: 155mm



BRACKET POSITIONING GAUGE

8306
Boon Bracket Positioning Gauge
Length: 64mm
Height: 3.5mm / 4.0mm / 4.5mm / 5.0mm



orthodontic instruments

LIGATING INSTRUMENTS

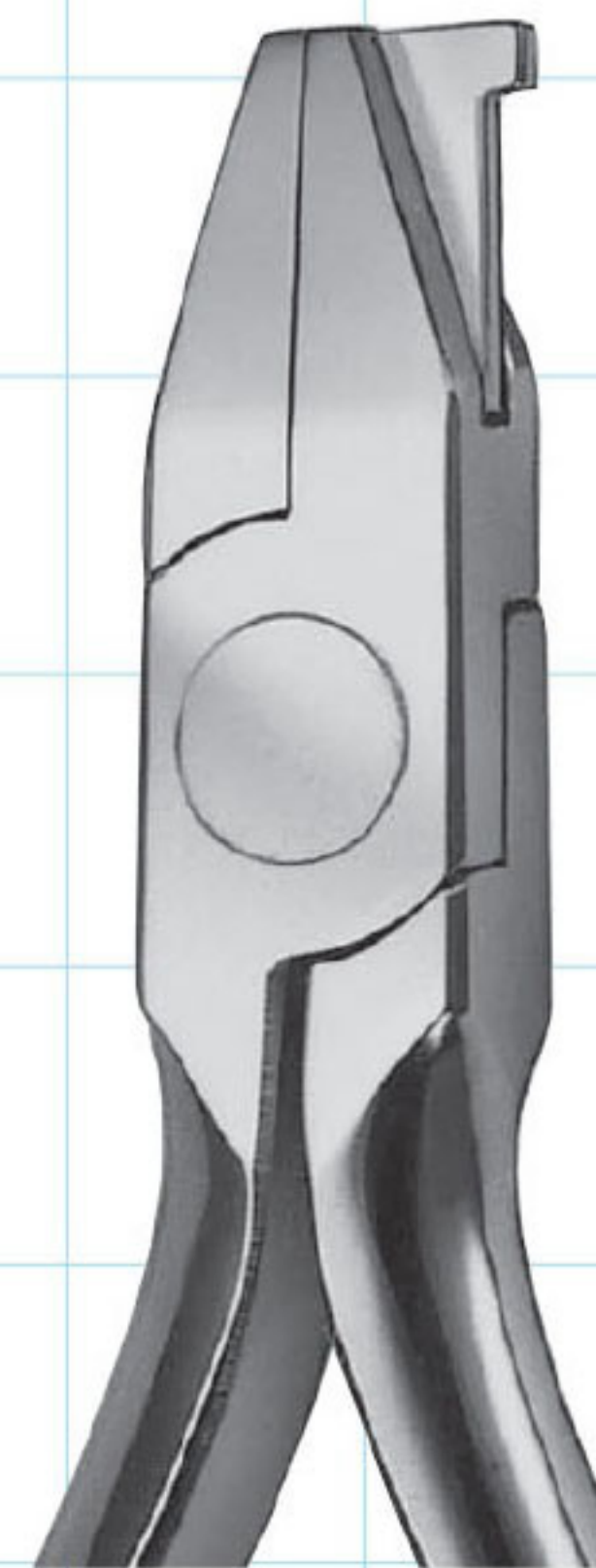
● LIGATING INSTRUMENTS



1016C
Ligature Tying Pliers – Coon Type
Length: 165mm



1026
Ligature Tying Pliers
Length: 165mm



2256T
Ligature Forming Pliers
Length: 121mm



215N
Ligature Instrument – Mathieu Type
Length: 155mm